

ROHS Compliant

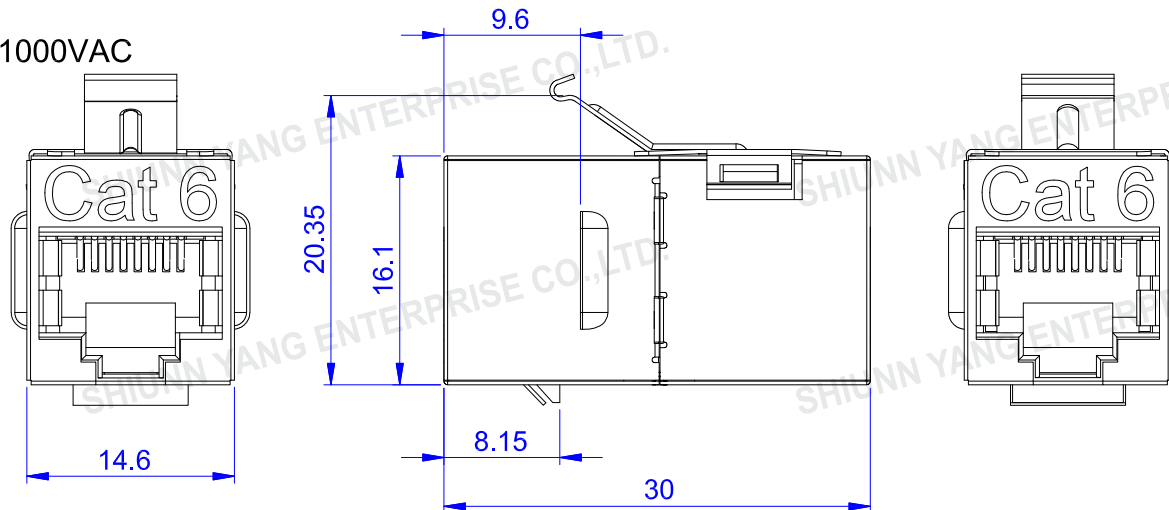
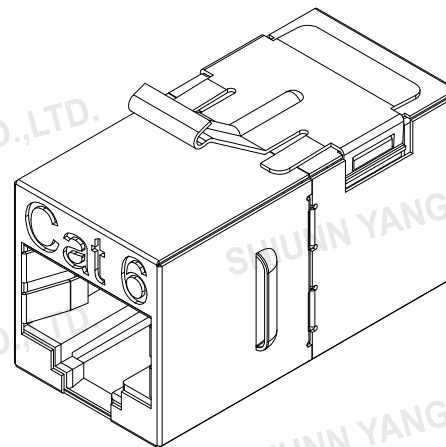
DATE	2015/12/09
Revision	B

Features :

- INSERTION LIFE:750 MATING CYCLES WITH FCC COMPLIANT 8P PLUG.
- CONTACT FORCE:100GRAMS WITH FCC COMPLAINT 8P PLUG.
- PLUG RETENTION FORCE:11 LBF MIN
- OPERATING TEMPERATURE RANGE: -10 °C TO 60 °C
- STORAGE TEMPERATURE RANGE: -40 °C TO 68 °C
- HUMIDITY: 10%~ 90%RH.

Electrical :

- CONTACT RESISTANCE : 20 mΩ
- DC CURRENT RATING : 1.5Amps
- DC RESISTANCE : Max.0.1Ω
- DC INSERTION RESISTANCE : 500 mΩ
- DIELECTRIC WITHSTANDING VOLTAGE:1000VAC



TOLERANCE	
.XXXX	----
.XXX	0.10
.XX	0.25
.X	0.38

MATERIAL

CATEGORY	<input type="checkbox"/> CAT.5E <input checked="" type="checkbox"/> CAT.6 <input type="checkbox"/> CAT.3 <input type="checkbox"/> OTHER _____
HOUSING	ABS UL94V-0
SPRING WIRE	PHOSPHOR BRONZE50u"GOLD PLATED.
COLOR	<input type="checkbox"/> WHITE <input type="checkbox"/> BLACK <input type="checkbox"/> GREEN <input type="checkbox"/> BLUE <input type="checkbox"/> YELLOW <input type="checkbox"/> RED <input type="checkbox"/> ORANGE <input type="checkbox"/> IVORY <input type="checkbox"/> OTHER _____
TYPE OF PRODUCT	<input type="checkbox"/> UNSHIELD <input checked="" type="checkbox"/> SHIELD : 0.25mm THICKNESS COPPER ALLOY WITH NICKLE PLATED.

P/NO. SY-350SG8M-C6

ITEM. Inline Coupler	CO. SY	S/N. SY-350SG8M-C6
DR. Mark 2015/12/09	APPD.	CHKD.



Shuinn Yang Ent.Co.Ltd.
TEL: 29089890 <REP>
FAX: 29068849,29088679

FILE. SY-350SG8M-C6	
SCALE /	
UNIT mm	SIZE A4

REV.	DESCRIPTION	ENG.	APPROVAL
1	2	3	4