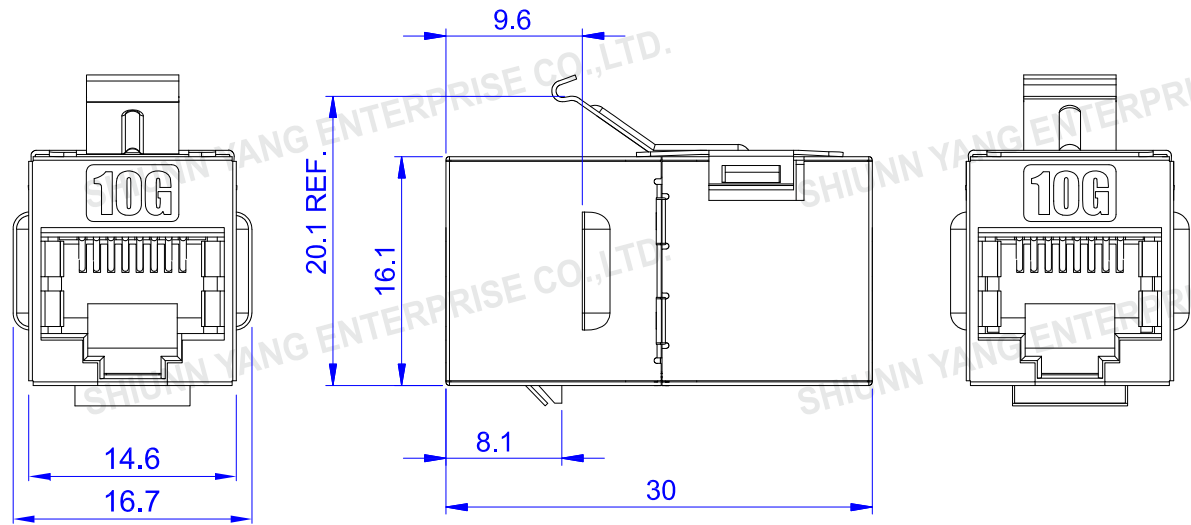
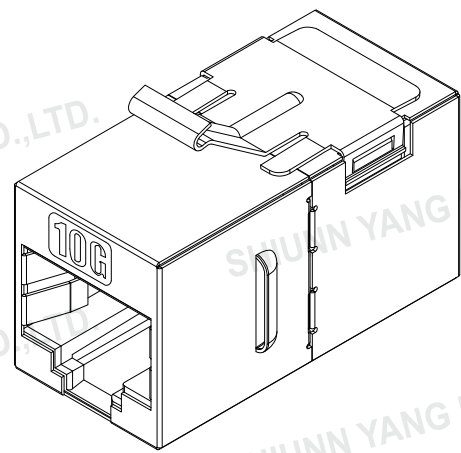


1
ROHS Compliant

7	DATE	2016/08/12
	Revision	B


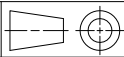
- Features :
- RJ45 complies with FCC part 68 standard
 - Jack insertion life >750 mating cycles
 - Operating temperature : -40°C~+60°C
- Electrical :
- Contact resistance : 20m ohm
 - DC Current rating : 1.5Amps
 - DC resistance : Max.0.1 ohm
 - Insulation Resistance : 500m ohm
 - Dielectric withstanding voltage : 1000V



TOLERANCE	
.XXXX	---
.XXX	0.10
.XX	0.25
.X	0.38

MATERIAL			
CATEGORY	<input type="checkbox"/> CAT.5E <input type="checkbox"/> CAT.6 <input type="checkbox"/> CAT.3 <input checked="" type="checkbox"/> OTHER_CAT.6A		
HOUSING	ABS UL94V-0		
CONTACT	0.35 mm DIAMETER PHOSPHOR BRONZE GOLD PLATED OVER NICKEL		
GOLD-PLATING	<input type="checkbox"/> 0.0762um/3u inch <input type="checkbox"/> 0.15um/6u inch <input type="checkbox"/> 0.38um/15u inch <input type="checkbox"/> 0.76um/30u inch <input checked="" type="checkbox"/> 1.27um/50u inch		
COLOR	<input type="checkbox"/> WHITE <input type="checkbox"/> BLACK <input type="checkbox"/> GREEN <input type="checkbox"/> BLUE <input type="checkbox"/> YELLOW <input type="checkbox"/> RED <input type="checkbox"/> ORANGE <input type="checkbox"/> IVORY <input type="checkbox"/> OTHER _____		
TYPE OF PRODUCT	<input type="checkbox"/> UNSHIELD <input checked="" type="checkbox"/> SHIELD : 0.25mm THICKNESS COPPER ALLOY WITH NICKLE PLATED.		
REV.	DESCRIPTION	ENG.	APPROVAL

P/NO. SY-350SG8M-10G

ITEM. Inline Coupler	CO. SY	S/N. SY-350SG8M-10G
DR. Mark 2016/08/12	APPD.	CHKD.
 Shiunn Yang Ent.Co.Ltd. TEL: 29089890 <REP> FAX: 29068849,29088679		FILE.SY-350SG8M-10G
		SCALE /  UNIT mm SIZE A4

A
B
C
D
E

A
B
C
D
E