

ROHS Compliant

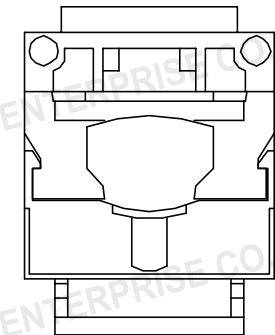
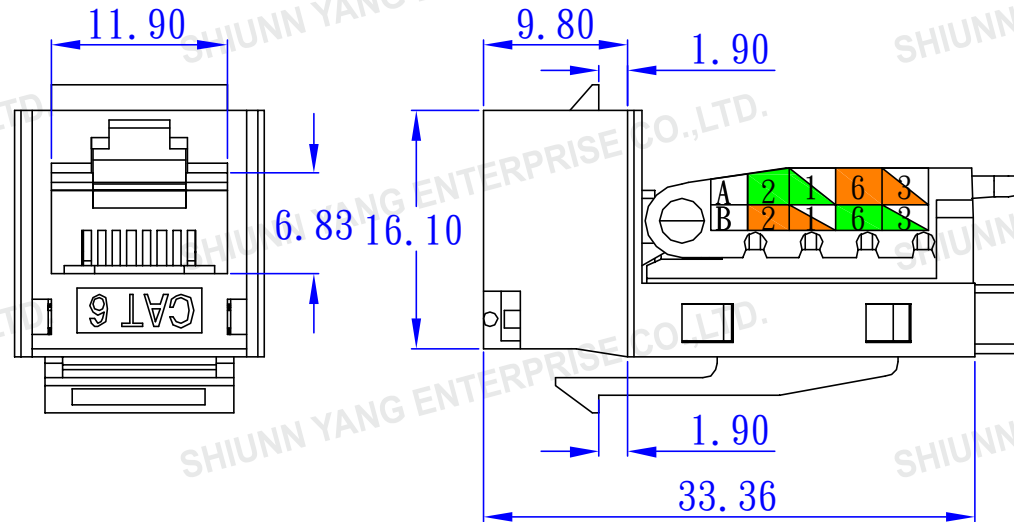
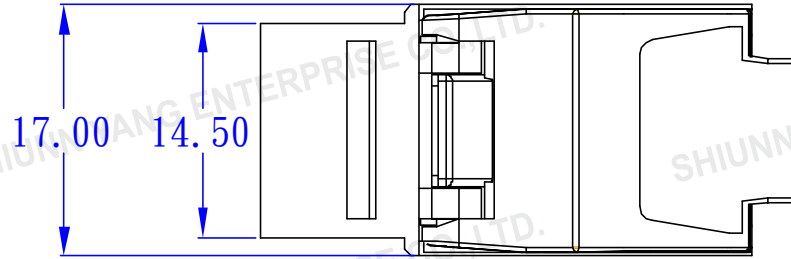
DATE	2011/12/07
Revision	A

Features :

- T-568A/B Dual wiring
- RJ45 complies with FCC part 68 standard
- Provides termination for 22-26 AWG wire
- Jack insertion life >750 mating cycles
- IDC insertion life >250 mating cycles
- Operating temperature : -40 °C ~ +60 °C

Electrical:

- Contact resistance : 20m ohm
- DC Current rating : 1.5Amps
- DC resistance : Max. 0.1 ohm
- Insulation Resistance : 500m ohm
- Dielectric withstanding voltage 1000V



TOLERANCE	
. XXXX	----
. XXX	0.10
. XX	0.25
. X	0.38

MATERIAL

CATEGORY	<input type="checkbox"/> CAT. 5E <input checked="" type="checkbox"/> CAT. 6 <input type="checkbox"/> CAT. 3 <input type="checkbox"/> OTHER _____
HOUSING	ABS UL94V-0
CONTACT	0.35 mm DIAMETER PHOSPHOR BRONZE GOLD PLATED OVER NICKEL
GOLD-PLATING	<input type="checkbox"/> 0.0762um/3u inch <input type="checkbox"/> 0.15um/6u inch <input type="checkbox"/> 0.38um/15u inch <input type="checkbox"/> 0.76um/30u inch <input checked="" type="checkbox"/> 1.27um/50u inch
COLOR	<input type="checkbox"/> WHITE <input type="checkbox"/> BLACK <input type="checkbox"/> GREEN <input type="checkbox"/> BLUE <input type="checkbox"/> YELLOW <input type="checkbox"/> RED <input type="checkbox"/> ORANGE <input type="checkbox"/> IVORY <input type="checkbox"/> OTHER _____
TYPE OF PRODUCT	<input checked="" type="checkbox"/> UNSHIELD <input type="checkbox"/> SHIELD : 0.25mm THICKNESS COPPER ALLOY WITH NICKLE PLATED.

P/NO. SY-504E

ITEM. Keystone Jack	CO.	S/N. SY-504E
DR. Wakka 2011/12/07	APPD.	CHKD.



Shiunn Yang Ent. Co. Ltd.  
 TEL: 29089890 <REP>  
 FAX: 29068849, 29088679

FILE. SY-504E	
SCALE /	
UNIT mm	SIZE A4

REV.	DESCRIPTION	ENG.	APPROVAL
1	2	3	4

1 2 3 4 5 6 7