

ROHS Compliant

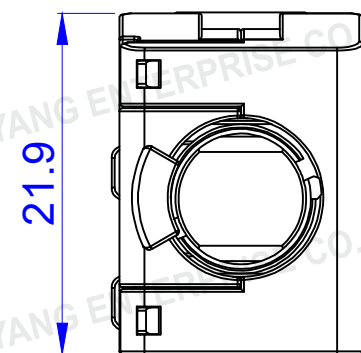
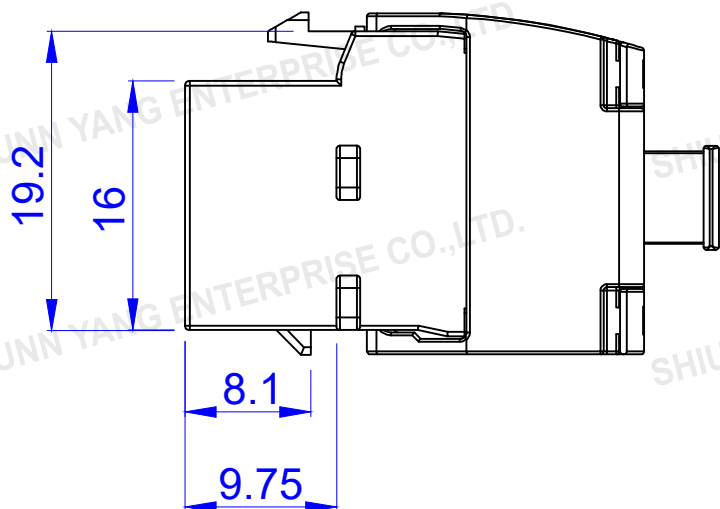
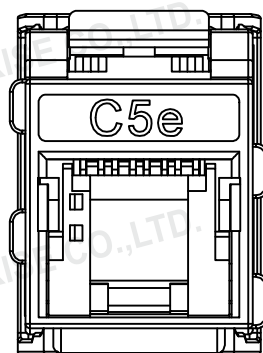
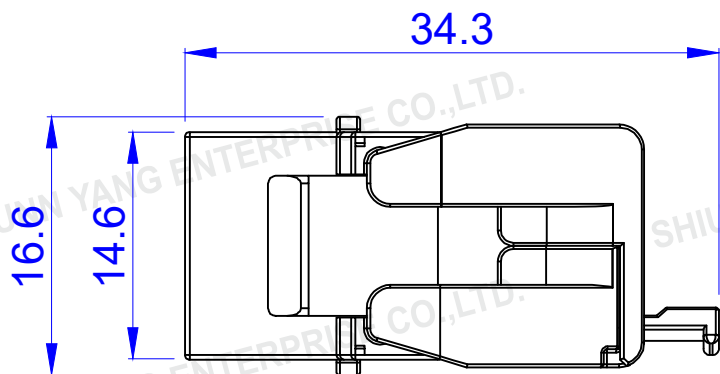
DATE	2018/11/14
Revision	A

Features :

- T-568A/B Dual wiring
- RJ45 complies with FCC part 68 standard
- Provides termination for 22~26 AWG wire
- Jack insertion life >750 mating cycles
- Operating temperature : -40°C~+60°C

Electrical :

- Contact resistance : 20m ohm
- DC Current rating : 1.5Amps
- DC resistance : Max.0.1 ohm
- Insulation Resistance : 500m ohm
- Dielectric withstanding voltage : 1000V



TOLERANCE

.XXX	0.10
.XX	0.25
.X	0.38

MATERIAL

CATEGORY	<input checked="" type="checkbox"/> CAT.5E <input type="checkbox"/> CAT.6 <input type="checkbox"/> CAT.6A <input type="checkbox"/> OTHER _____
HOUSING	ABS UL94V-0
CONTACT	0.35mm THICKNESS PHOSPHOR BRONZE GOLD PLATED OVER NICKEL
GOLD-PLATING	<input type="checkbox"/> 0.0762um/3u inch <input type="checkbox"/> 0.15um/6u inch <input type="checkbox"/> 0.38um/15u inch <input type="checkbox"/> 0.76um/30u inch <input checked="" type="checkbox"/> 1.27um/50u inch
COLOR	<input type="checkbox"/> WHITE <input type="checkbox"/> BLACK <input type="checkbox"/> GREEN <input type="checkbox"/> BLUE <input type="checkbox"/> YELLOW <input type="checkbox"/> RED <input type="checkbox"/> ORANGE <input type="checkbox"/> IVORY <input type="checkbox"/> OTHER _____
TYPE OF PRODUCT	<input type="checkbox"/> UNSHIELD <input checked="" type="checkbox"/> SHIELD : ZINC ALLOY,NICKLE PLATED.

P/NO. SY-505S-P5e

ITEM. Keystone Jack	CO. SY	S/N. SY-505S-P5e
DR.	APPD. Sweet 2018/11/14	CHKD.



Shiunn Yang Ent.Co.Ltd.  
TEL: 29089890 <REP>  
FAX: 29088679

FILE. SY-505S-P5e

SCALE /	
UNIT mm	SIZE A4

REV.	DESCRIPTION	ENG.	APPROVAL
------	-------------	------	----------

1 2 3 4 5 6 7