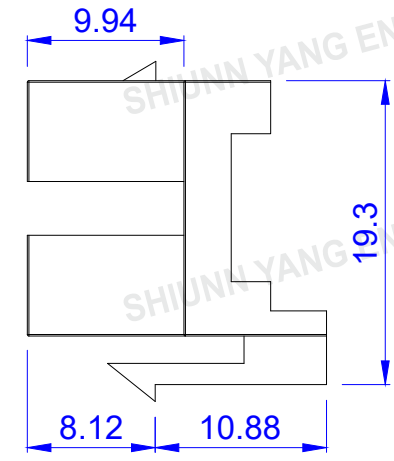
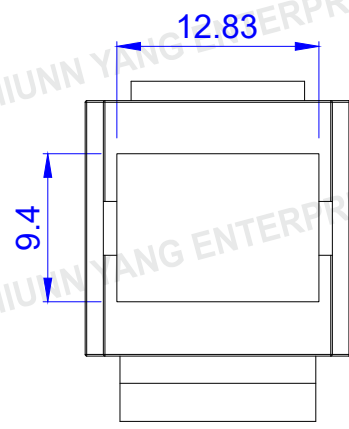
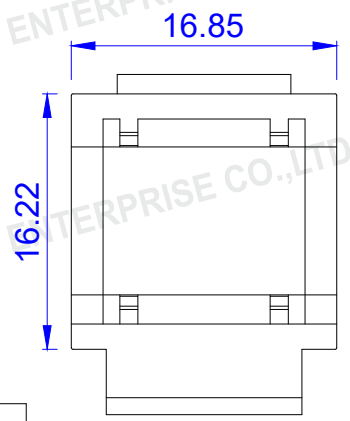
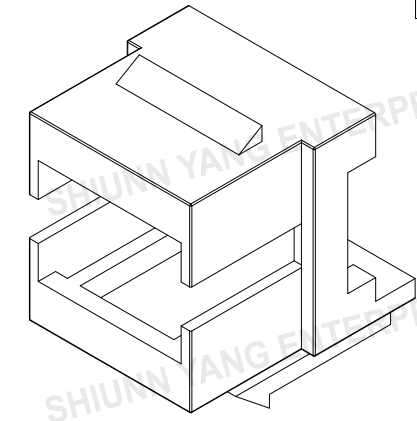
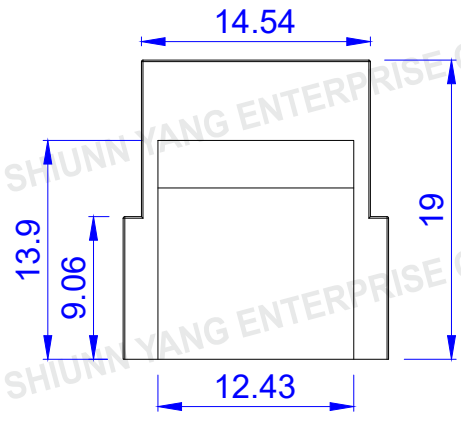
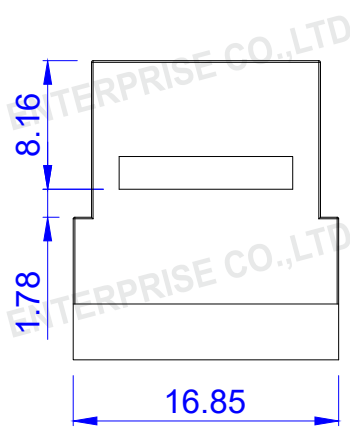


ROHS Compliant

DATE	2012/08/15
Revision	A



TOLERANCE	
.XXXX	----
.XXX	0.10
.XX	0.25
.X	0.38

MATERIAL

UL-94-V-0 Fire-Resistance ABS

P/NO. SY-SC

ITEM. Snap-in Module	CO. SY	S/N. SY-SC
DR. Wakka 2012/08/15	APPD.	CHKD.



Shiunn Yang Ent.Co.Ltd.
 TEL: 29089890 <REP>
 FAX: 29068849,29088679

FILE. SY-SC	
SCALE /	
UNIT mm	SIZE A4

REV.	DESCRIPTION	ENG.	APPROVAL
1			