

1 ROHS Compliant

7	DATE	2012/08/15
	Revision	A

A

B

C

D

E

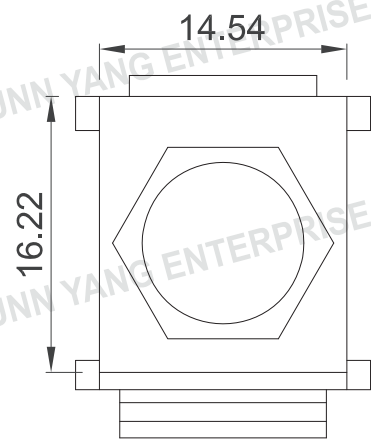
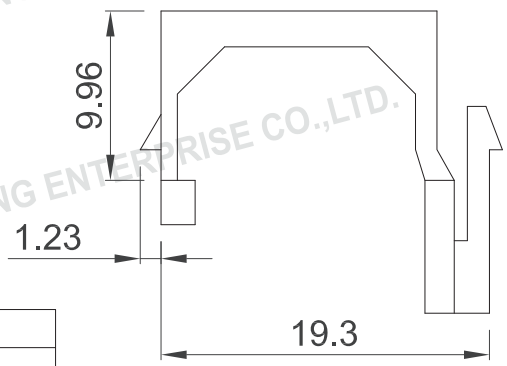
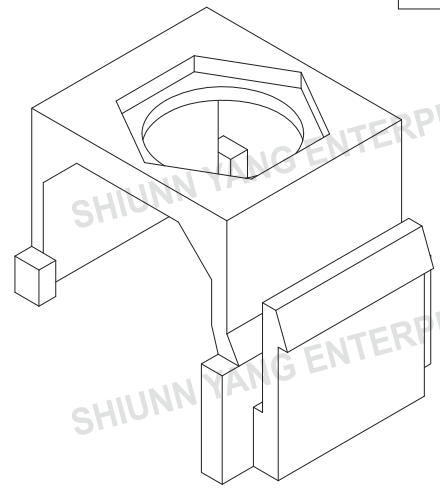
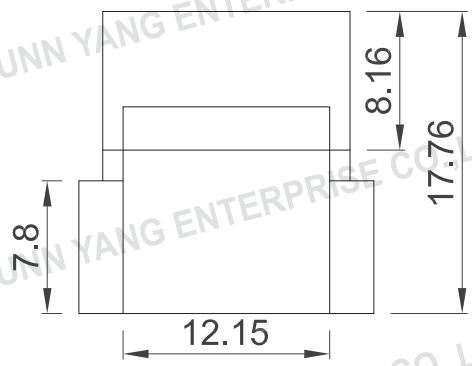
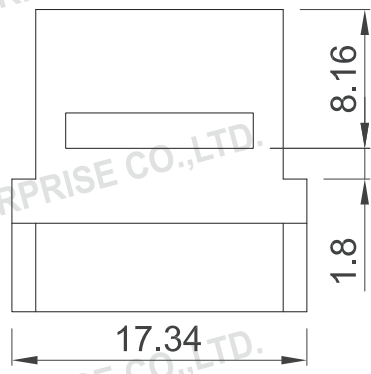
A

B

C

D


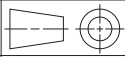
E



TOLERANCE	
.XXXX	----
.XXX	0.10
.XX	0.25
.X	0.38

MATERIAL

UL-94-V-0 Fire-Resistance ABS

<b>P/NO.</b>		<b>SY-F</b>	
ITEM. Snap-in Module	CO. SY	S/N. SY-F	
DR. Wakka 2012/08/15	APPD.	CHKD.	
 Shiunn Yang Ent.Co.Ltd. TEL: 29089890 <REP> FAX: 29068849,29088679		FILE. SY-F	
		SCALE / 	
		UNIT mm	SIZE A4

REV.	DESCRIPTION	ENG.	APPROVAL
1			