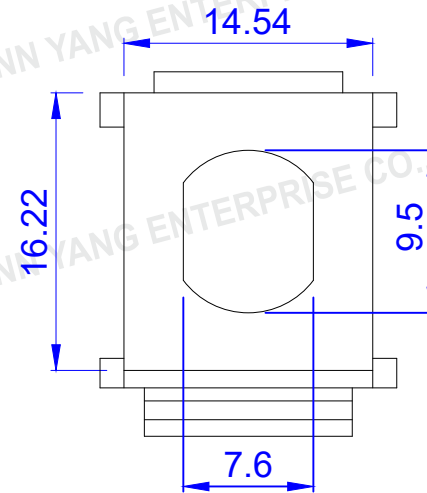
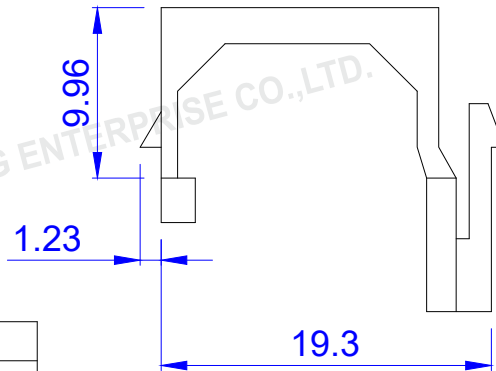
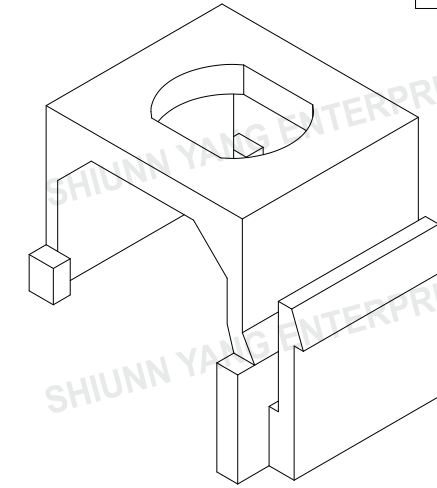
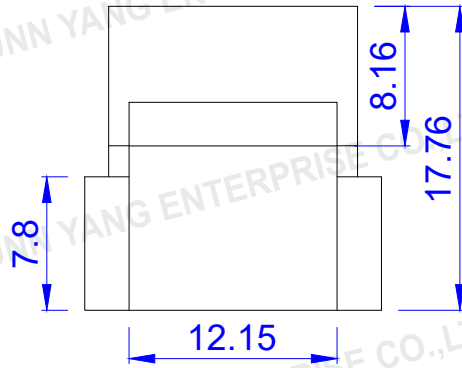
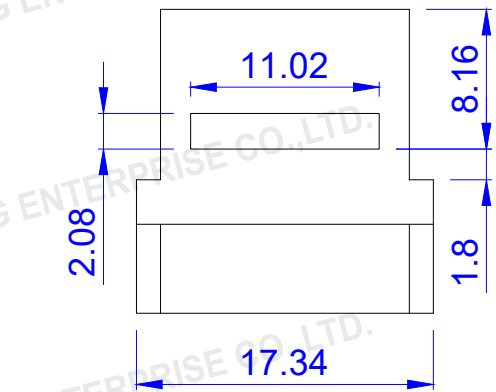


ROHS Compliant

DATE	2012/08/15
Revision	A



TOLERANCE	
.XXXX	----
.XXX	0.10
.XX	0.25
.X	0.38


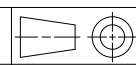
MATERIAL

UL-94-V-0 Fire-Resistance ABS

P/NO. SY-ST

ITEM. Snap-in Module	CO. SY	S/N. SY-ST
----------------------	--------	------------

DR. Wakka 2012/08/15	APPD.	CHKD.
----------------------	-------	-------

 <p>Shiunn Yang Ent.Co.Ltd. TEL: 29089890 <REP> FAX: 29068849,29088679</p>	FILE. SY-ST
	SCALE / 
	UNIT mm SIZE A4

REV.	DESCRIPTION	ENG.	APPROVAL
------	-------------	------	----------