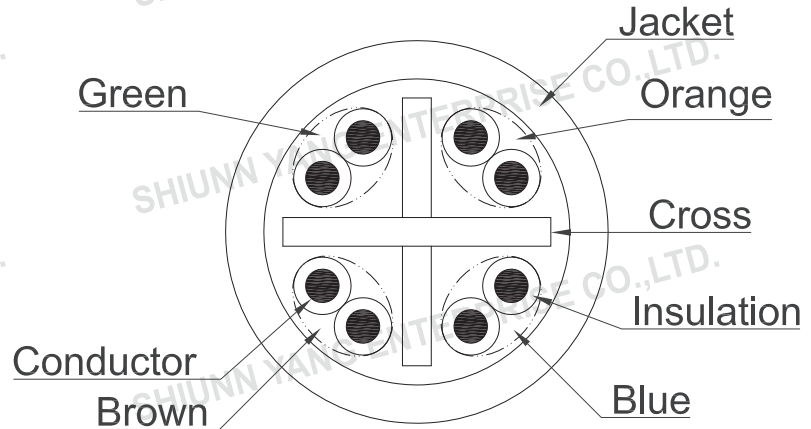
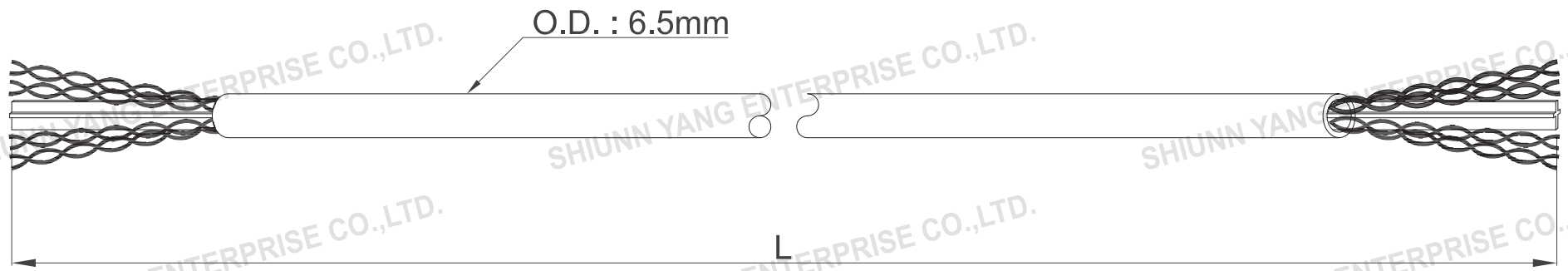


ROHS Compliant

Date	2012/07/17
Revision	A



TOLERANCE	
.XXXX	----
.XXX	0.10
.XX	0.25
.X	0.38

TECHNICAL DATA

CABLE LENGTH	<input type="checkbox"/> 500±30mm	<input type="checkbox"/> 1000±50mm	<input type="checkbox"/> 1500±50mm	<input type="checkbox"/> 2000±50mm
	<input type="checkbox"/> 2500±50mm	<input type="checkbox"/> 3000±100mm	<input type="checkbox"/> 10000±200mm	<input type="checkbox"/> OTHER _____
COLOR	<input type="checkbox"/> BLUE <input type="checkbox"/> ORANGE <input type="checkbox"/> RED <input type="checkbox"/> GREEN <input type="checkbox"/> WHITE <input type="checkbox"/> YELLOW <input type="checkbox"/> GRAY <input type="checkbox"/> OTHER _____			
CABLE	<input type="checkbox"/> UTP CAT.5E	<input checked="" type="checkbox"/> UTP CAT.6	<input type="checkbox"/> FTP CAT.5E	<input type="checkbox"/> FTP CAT.6
	<input checked="" type="checkbox"/> 23 AWG SOLID	<input type="checkbox"/> 23 AWG STRANDED	<input type="checkbox"/> 24 AWG SOLID	<input type="checkbox"/> 24 AWG STRANDED

P/NO.

UTP-C6

ITEM. Cable Solution	CO. SY	FILE. UTP-C6
DR. Wakka 2012/07/17	APPD.	CHKD.



Shiunn Yang Ent.Co.Ltd.
 TEL: 29089890 <REP>
 FAX: 29068849,29088679

S/N. UTP-C6
SCALE /
UNIT mm SIZE A4

REV.	DESCRIPTION	ENG.	APPROVAL
------	-------------	------	----------