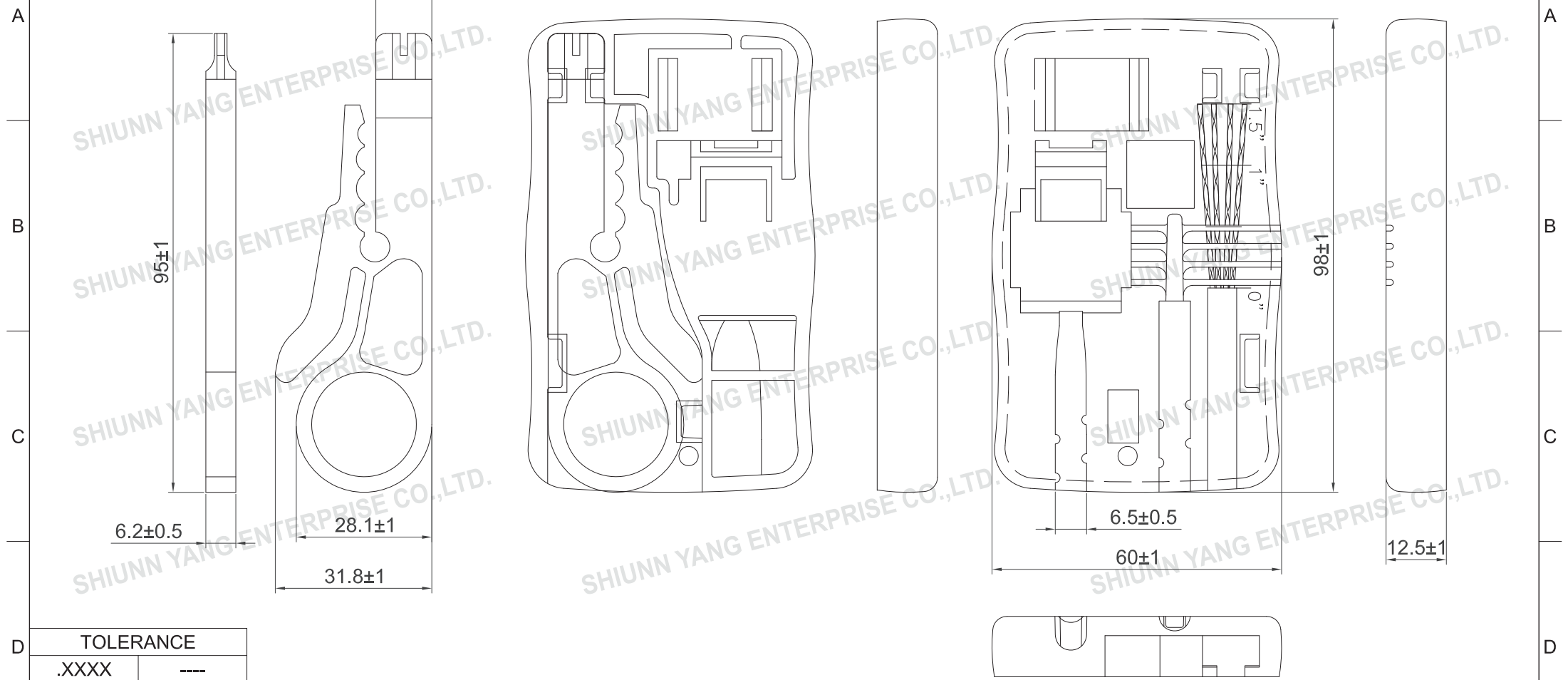


1 ROHS Compliant

7 DATE	2013/08/15
Revision	A



TOLERANCE	
.XXXX	----
.XXX	0.10
.XX	0.25
.X	0.38

MATERIAL	
HOUSING	PC
CUTTING	STEEL

P/NO. SY-KJF-CS

ITEM.	CO. SY	S/N. SY-KJF-CS
DR. Wakka 2013/08/15	APPD.	CHKD.



Shiuann Yang Ent.Co.Ltd.
 TEL: 29089890 <REP>
 FAX: 29068849,29088679

FILE.	SY-KJF-CS
SCALE /	
UNIT mm	SIZE A4

REV.	DESCRIPTION	ENG.	APPROVAL
1	2	3	4

5 6 7