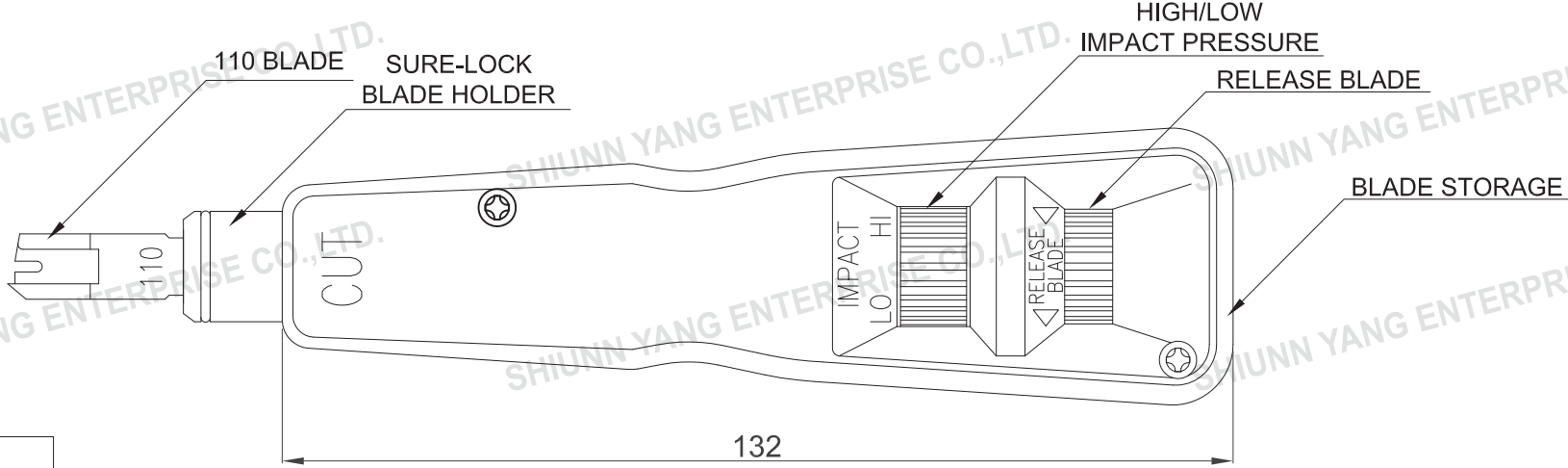
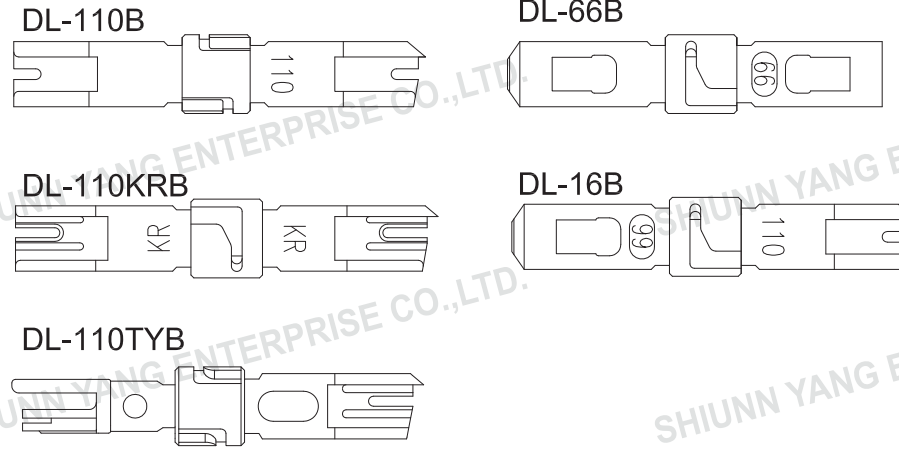



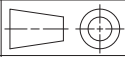
1 ROHS Compliant

7	DATE	2012/11/15
	Revision	A



TOLERANCE	
.XXXX	----
.XXX	0.10
.XX	0.25
.X	0.38

MATERIAL	
BODY	PLASTIC & RUBBER
BLADE	STEEL

<b>P/NO.</b>		<b>SY-DL-110</b>				
ITEM.	TOOL	CO.	SY	S/N.	SY-DL-110	
DR.	Wakka 2012/11/15	APPD.		CHKD.		
 Shiunn Yang Ent.Co.Ltd. TEL: 29089890 <REP> FAX: 29068849,29088679				FILE.	SY-DL-110	
				SCALE	/	
				UNIT	mm	SIZE

REV.	DESCRIPTION	ENG.	APPROVAL
1			