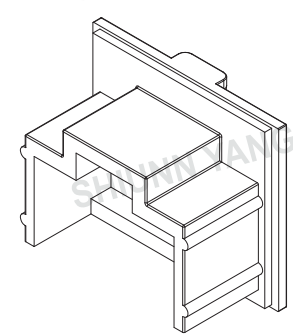
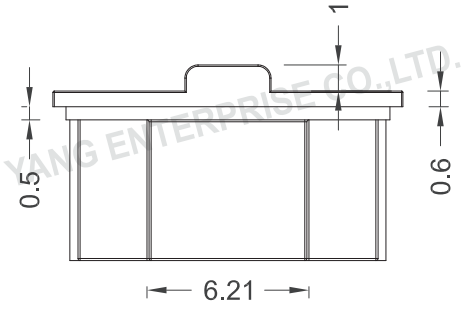
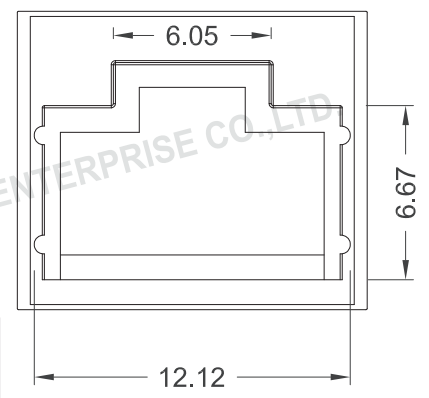
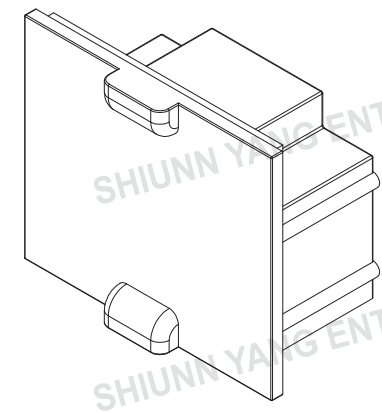
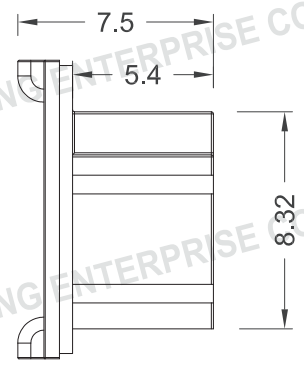
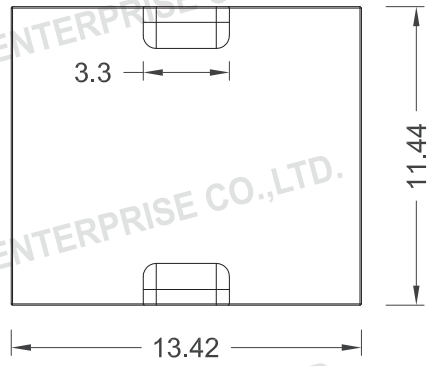


1 ROHS Compliant

7	DATE	2012/06/20
	Revision	A



TOLERANCE	
.XXXX	---
.XXX	0.10
.XX	0.25
.X	0.38

MATERIAL	
HOUSING	PP

**P/NO. SY-RJ-SP1-XX**

ITEM. Boot	CO. SY	S/N. SY-RJ-SP1-XX
DR. Wakka 2012/06/20	APPD.	CHKD.



Shiunn Yang Ent.Co.Ltd.  
 TEL: 29089890 <REP>  
 FAX: 29068849,29088679

FILE. SY-RJ-SP1-XX
SCALE /
UNIT mm SIZE A4

REV.	DESCRIPTION	ENG.	APPROVAL
1	2	3	4