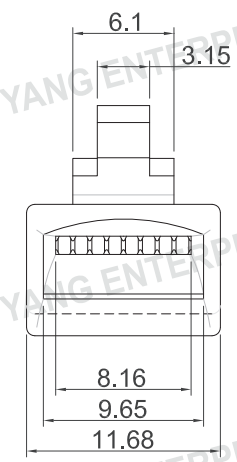
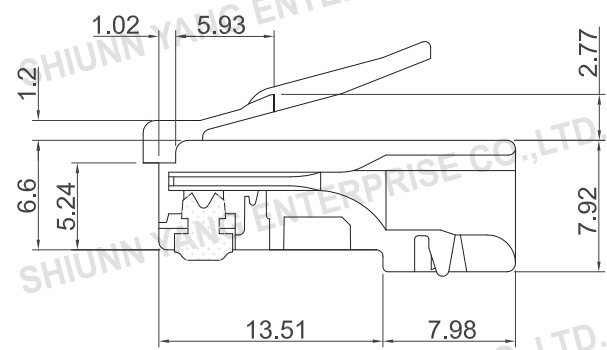
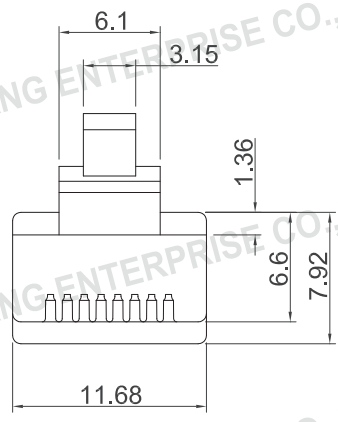
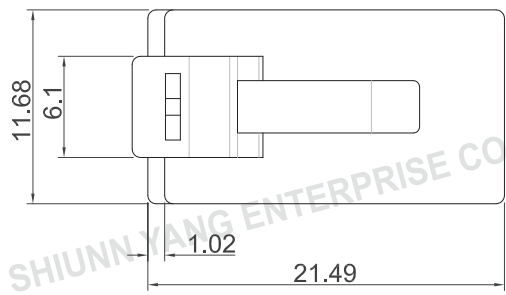
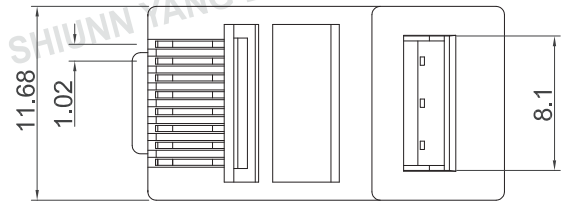
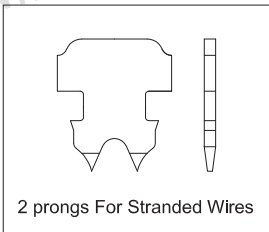


1 ROHS Compliant

7 DATE	2012/07/16
Revision	A



PLUG 8P8C-R



TOLERANCE	
.XXXX	----
.XXX	0.10
.XX	0.25
.X	0.38

P/NO. SY-RJ-45-1

HOUSING		<input checked="" type="checkbox"/> PC UL94V-0 <input type="checkbox"/> PC UL94V-2		MATERIAL	
CONTACT		PHOSPHOR BRONZE FINE GOLD PLATED OVER NICKEL		TYPE OF PLUG <input type="checkbox"/> SHIELD <input checked="" type="checkbox"/> UNSHIELD GOLD-PLATING <input type="checkbox"/> 0.15U M/6U" MINIMUM <input type="checkbox"/> 0.38U M/15U" MINIMUM <input type="checkbox"/> 0.76U M/30U" MINIMUM <input checked="" type="checkbox"/> 1.27U M/50U" MINIMUM	
APPLICATION		<input checked="" type="checkbox"/> UTP CAT.5E <input type="checkbox"/> UTP CAT.6 <input type="checkbox"/> STP CAT.5E <input type="checkbox"/> STP CAT.6 <input type="checkbox"/> SOLID <input checked="" type="checkbox"/> STRANDED		ITEM. Modular Plug CO. SY S/N. SY-RJ-45-1 DR. Wakka 2012/07/16 APPD. CHKD.	
REV.	DESCRIPTION	ENG.	APPROVAL	FILE. SY-RJ-45-1 SCALE /	



Shiunn Yang Ent.Co.Ltd.
TEL: 29089890 <REP>
FAX: 29068849,29088679

UNIT	mm	SIZE	A4
------	----	------	----