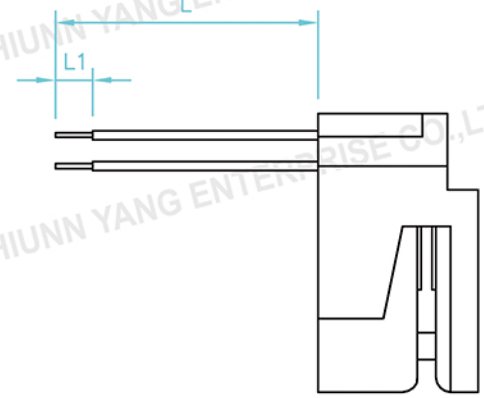
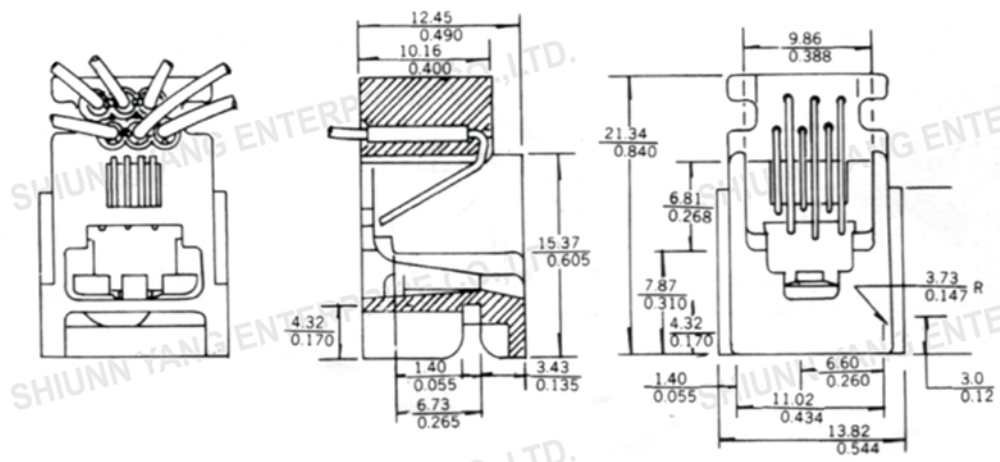
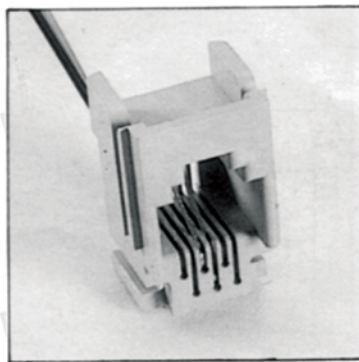


623P



MATERIAL				TITLE	WIRING JACK	CO.	CLIE.	623P	
HOUSING	Standard - ABS Resin UL94V0		COLOR	<input type="checkbox"/> BLACK <input type="checkbox"/> IVORY <input type="checkbox"/> GRAY		DR.	APPD.	CHKD.	
CONTACT	0.46 mm Dia. Phosphor Bronze, Gold plating over Nickel		L					SCALE /	
OPTIONAL	<input type="checkbox"/> 6u inch, <input type="checkbox"/> 15u inch, <input type="checkbox"/> 30u inch, <input type="checkbox"/> 50u inch		L1					UNIT mm SIZE A4	
WIRE	UL-1061 E41396 AWM80°C VW-1 300V 26AWG, PVC Insulation						SHEET		REV.
REV.	DESCRIPTION		ENG.	APPROVAL		Shiunn Yang Ent.Co.Ltd. TEL: 29089890 <REP> FAX: 29068849,29088679			