

ROHS Compliant

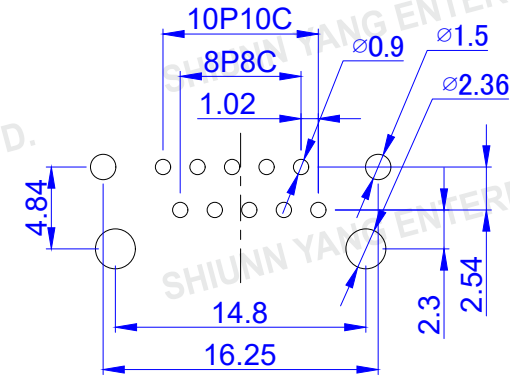
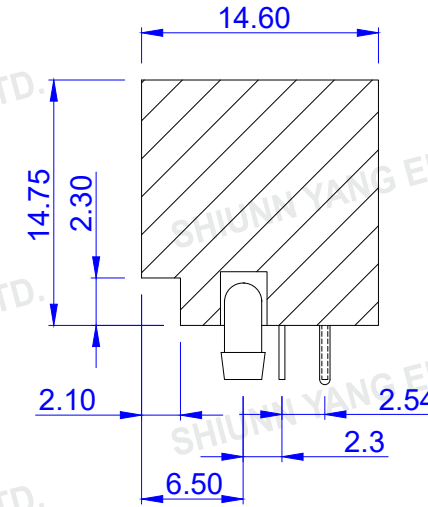
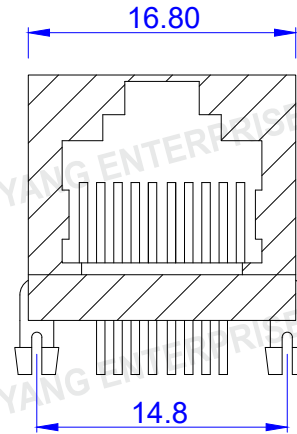
Date	2013/11/15
Revision	A

**ELECTRICAL :**

1. VOLTAGE RATING : 125V.
2. CURRENT RATING : 1.5A.
3. CONTACT RESISTANCE : 30 MILLIOHMS MAX.
4. INSULATION RESISTANCE : 500 MEGOHM MIN.
5. DIELECTRIC WITHSTANDING VOLTAGE : 1000VAC, RMS, 60Hz, 1MINUTE.

**MECHANICAL :**

1. PLUG RETAINED FORCE : 11KG MAX.
2. DURABILITY : 750 MATING CYCLES MIN.
3. OPERATING TEMPERATURE : -40°C~+125°C.



PCB LAYOUT

**TOLERANCE**

.XXXX	----
.XXX	0.10
.XX	0.25
.X	0.38

**TECHNICAL DATA**

HOUSING	STANDARD MATERIAL 15% GLASS FILLED PBT <input checked="" type="checkbox"/> UL94V-0 <input type="checkbox"/> UL94V-2	COLOR	<input type="checkbox"/> GRAY <input type="checkbox"/> BLACK
	<input type="checkbox"/> W/FLANGE <input checked="" type="checkbox"/> W/O FLANGE		
CONTACT	<input checked="" type="checkbox"/> ROUND WIRE : 0.46mm DIAMETER PHOSPHOR BRONZE GOLD PLATED OVER NICAL.		
	<input type="checkbox"/> FLAT WIRE : 0.35mm THICKNESS PHOSPHOR BRONZE GOLD PLATED OVER NICAL.		
TIN PLATED OVER NICKEL ON SOLDER AREA.			
GOLD-PLATING	<input type="checkbox"/> 0.0762um/3u inch <input type="checkbox"/> 0.15um/6u inch <input type="checkbox"/> 0.38um/15u inch <input type="checkbox"/> 0.76um/30u inch <input type="checkbox"/> 1.27um/50u inch		
TYPE OF JACK	<input type="checkbox"/> UNSHIELD <input checked="" type="checkbox"/> SHIELD : 0.25mm THICKNESS COPPER ALLOY WITH NICKLE PLATED.		

**P/NO. SY013-8**

ITEM. MODULAR PCB JACK	CO. SY	FILE. SY013-8
DR. Wakka 2013/11/15	APPD.	CHKD.



Shiunn Yang Ent.Co.Ltd.  
 TEL: 29089890 <REP>  
 FAX: 29068849,29088679

SCALE	/		
UNIT	mm	SIZE	A4
SHEET		REV.	