

1 ROHS Compliant

7 DATE	2016/03/15
Revision	A

A

B

C

D

E

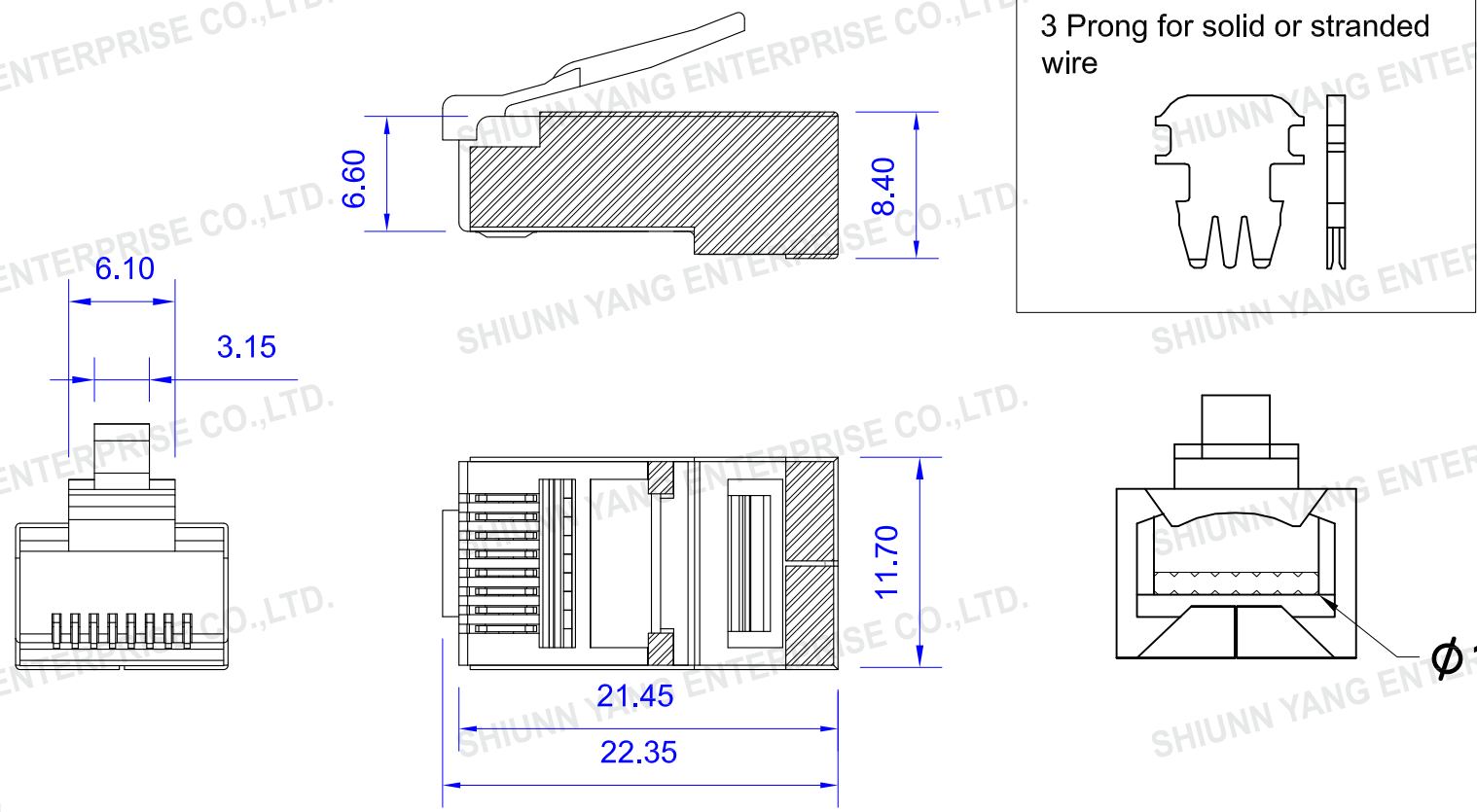
A

B

C

D


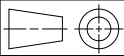
E



3 Prong for solid or stranded wire

TOLERANCE	
.XXXX	----
.XXX	0.10
.XX	0.25
.X	0.38

MATERIAL			
HOUSING	<input checked="" type="checkbox"/> PC UL94V-0 <input type="checkbox"/> PC UL94V-2	TYPE OF PLUG	<input checked="" type="checkbox"/> SHIELD <input type="checkbox"/> UNSHIELD
CONTACT	PHOSPHOR BRONZE FINE GOLD	COLD-PLATING	<input type="checkbox"/> 0.15U M/6U" MINIMUM <input type="checkbox"/> 0.38U M/15U"MINIMUM
	PLATED OVER NICKEL		<input type="checkbox"/> 0.76U M/30U"MINIMUM <input checked="" type="checkbox"/> 1.27U M/50U"MINIMUM
APPLICATION	<input type="checkbox"/> UTP CAT.5E <input type="checkbox"/> UTP CAT.6 <input checked="" type="checkbox"/> STP CAT.5E <input type="checkbox"/> STP CAT.6		
	<input checked="" type="checkbox"/> 24 ~26 AWG SOLID <input type="checkbox"/> 24~26 AWG STRANDED		
REV.	DESCRIPTION	ENG.	APPROVAL
1	2	3	4

P/NO. SY-FRJ3-45-1	
ITEM. Modular Plug	CO. SY
DR. Mark 2016/03/15	S/N. SY-FRJ3-45-1
APPD.	CHKD.
 Shiunn Yang Ent.Co.Ltd. TEL: 29089890 <REP> FAX: 29068849,29088679	FILE. SY-FRJ3-45-1
	SCALE / 
	UNIT mm SIZE A4
5	6
7	7