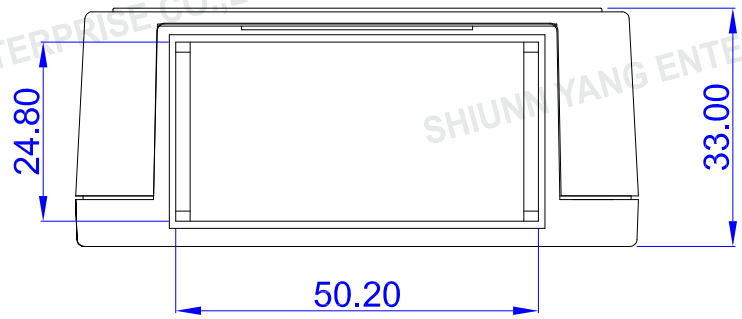
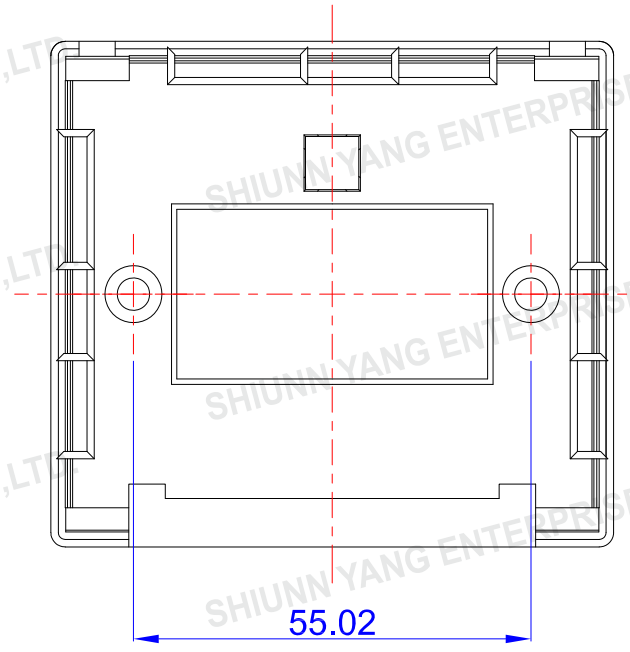
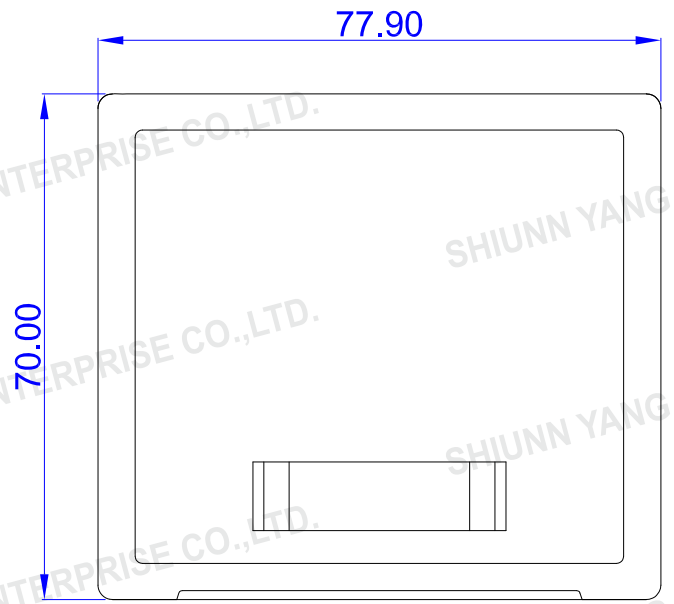


1 ROHS Compliant

7 DATE	2012/10/19
Revision	A

A
B
C
D



TOLERANCE	
.XXXX	---
.XXX	0.10
.XX	0.25
.X	0.38

MATERIAL			
HOUSING	ABS UL-94V-0	COLOR	<input type="checkbox"/> WHITE <input type="checkbox"/> IVORY
Description	1 Flat Snap-in Module Space		
REV.	DESCRIPTION	ENG.	APPROVAL
1			

P/NO. SY-M2	
ITEM. Wall Plate	CO. SY
S/N. SY-M2	
DR. Wakka 2012/10/19	APPD.
CHKD.	
FILE. SY-M2	
SCALE /	
UNIT mm	SIZE A4



Shiunn Yang Ent.Co.Ltd.
TEL: 29089890 <REP>
FAX: 29068849,29088679

A
B
C
D