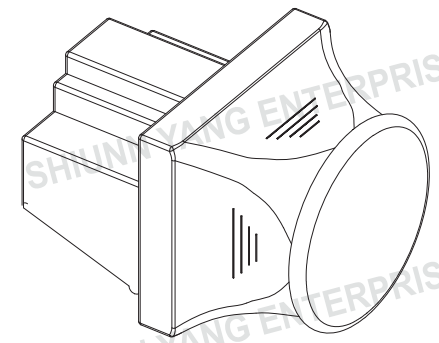
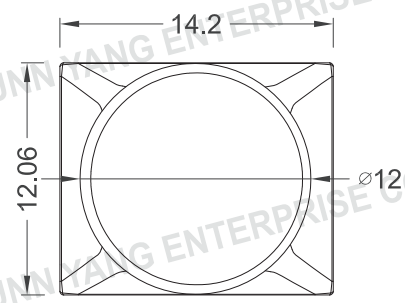
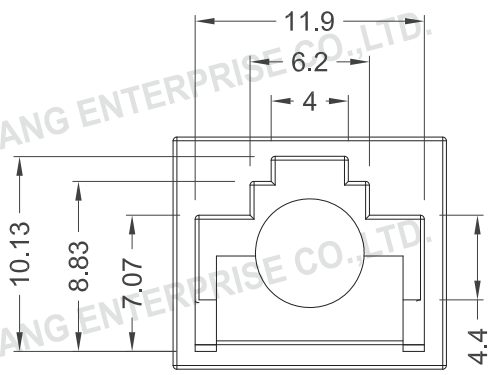


1  
ROHS Compliant

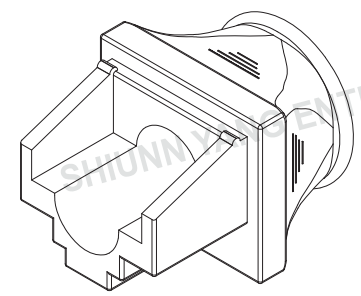
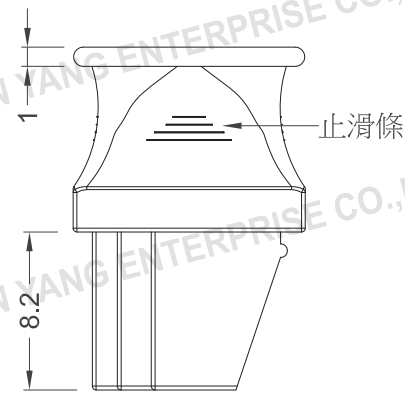
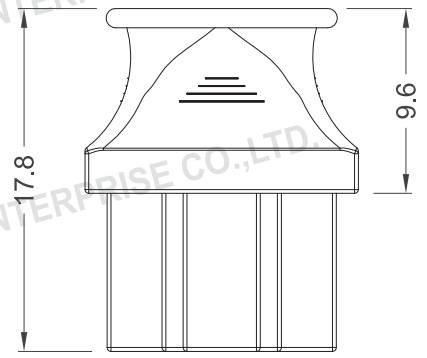
7	DATE	2012/06/20
	Revision	D

A



B

C


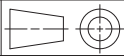


D

TOLERANCE	
.XXXX	---
.XXX	0.10
.XX	0.25
.X	0.38

MATERIAL

HOUSING	Fire-resistance PVC

<b>P/NO. SY-RJ-SP-XX</b>	
ITEM. Boot	CO. SY
S/N. SY-RJ-SP-XX	
DR. Wakka 2012/06/20	APPD. CHKD.
 Shiunn Yang Ent.Co.Ltd. TEL: 29089890 <REP> FAX: 29068849,29088679	FILE. SY-RJ-SP-XX
	SCALE / 
	UNIT mm SIZE A4

E

REV.	DESCRIPTION	ENG.	APPROVAL
1	2	3	4

5 6 7