

ROHS Compliant

Date 2011/05/27

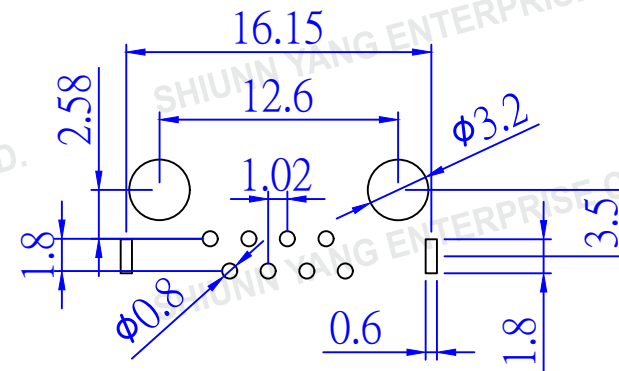
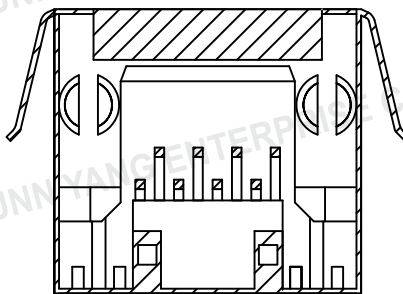
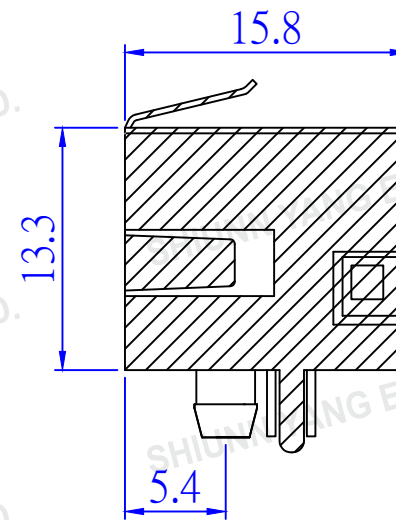
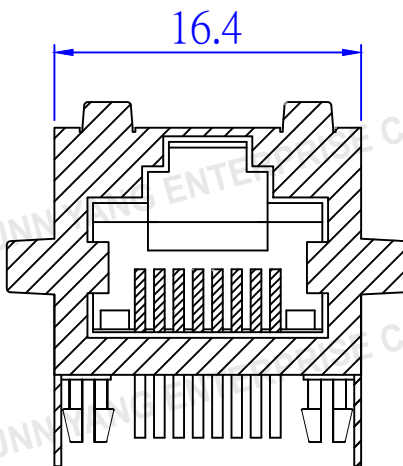
Revision A

ELECTRICAL :

1. VOLTAGE RATING : 125V.
2. CURRENT RATING : 1.5A.
3. CONTACT RESISTANCE : 30 MILLIOHMS MAX.
4. INSULATION RESISTANCE : 500 MEGOHM MIN.
5. DIELECTRIC WITHSTANDING VOLTAGE : 1000VAC, RMS, 60Hz, 1MINUTE.

MECHANICAL :

1. PLUG RETAINED FORCE : 11KG MAX.
2. DURABILITY : 750 MATING CYCLES MIN.
3. OPERATING TEMPERATURE : -40°C~+125°C.



PCB LAYOUT

TOLERANCE	
.XXXX	----
.XXX	0.10
.XX	0.25
.X	0.38

TECHNICAL DATA

HOUSING	STANDARD MATERIAL 15% GLASS FILLED PBT <input checked="" type="checkbox"/> UL94V-0 <input type="checkbox"/> UL94V-2	COLOR	<input type="checkbox"/> GRAY <input type="checkbox"/> BLACK
	<input type="checkbox"/> W/FLANGE <input checked="" type="checkbox"/> W/O FLANGE		
CONTACT	<input type="checkbox"/> ROUND WIRE : 0.46mm DIAMETER PHOSPHOR BRONZE GOLD PLATED OVER NICAL.		
	<input checked="" type="checkbox"/> FLAT WIRE : 0.35mm THICKNESS PHOSPHOR BRONZE GOLD PLATED OVER NICAL.		
	TIN PLATED OVER NICKEL ON SOLDER AREA.		
GOLD-PLATING	<input type="checkbox"/> 0.0762um/3u inch <input type="checkbox"/> 0.15um/6u inch <input checked="" type="checkbox"/> 0.38um/15u inch <input type="checkbox"/> 0.76um/30u inch <input type="checkbox"/> 1.27um/50u inch		
TYPE OF JACK	<input type="checkbox"/> UNSHIELD <input checked="" type="checkbox"/> SHIELD : 0.25mm THICKNESS COPPER ALLOY WITH NICKLE PLATED.		

P/NO. SY058S-8

ITEM.SHIELDED PCB JACK	CO. SY	FILE. SY058S-8
DR. Breaker2010/12/23	APPD.	CHKD.



Shiunn Yang Ent.Co.Ltd.
TEL: 29089890 <REP>
FAX: 29068849,29088679

SCALE /	
UNIT mm	SIZE A4
SHEET	REV.