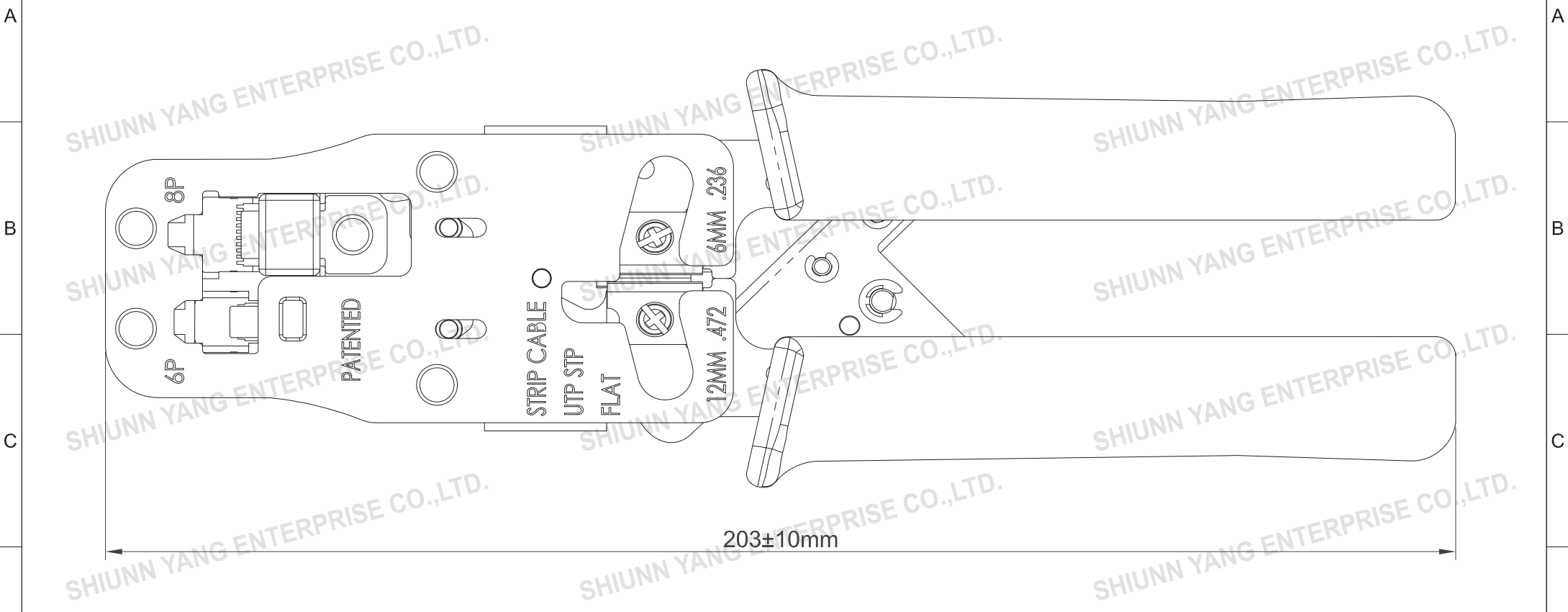


ROHS Compliant

DATE	2012/11/15
Revision	A



TOLERANCE	
.XXXX	----
.XXX	0.10
.XX	0.25
.X	0.38

MATERIAL	
BODY	PLASTIC & RUBBER
BLADE	STEEL

P/NO. SY-568-UP

ITEM.	TOOL	CO.	SY	S/N.	SY-568-UP
DR.	Wakka 2012/11/15	APPD.		CHKD.	

	Shiunn Yang Ent.Co.Ltd. TEL: 29089890 <REP> FAX: 29068849,29088679	FILE. SY-568-UP SCALE /
		UNIT mm