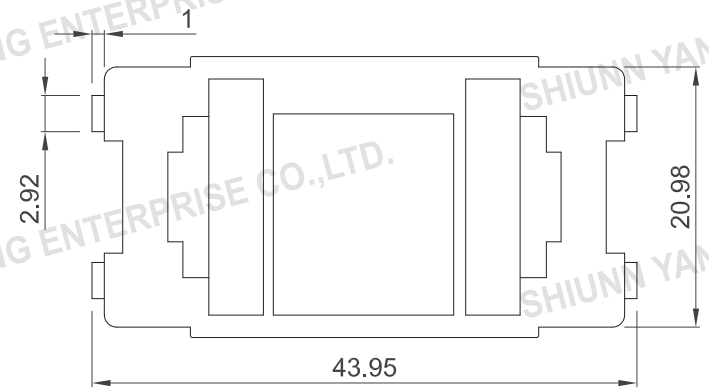
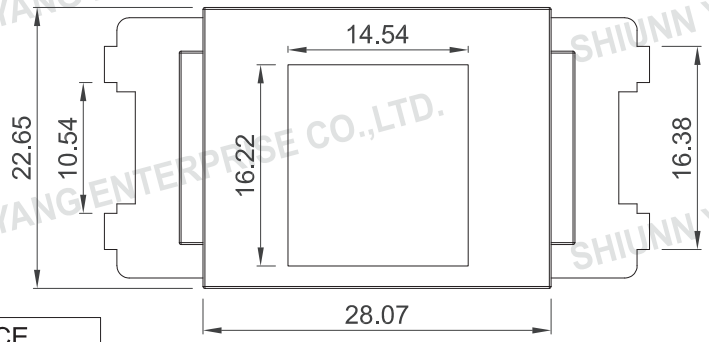
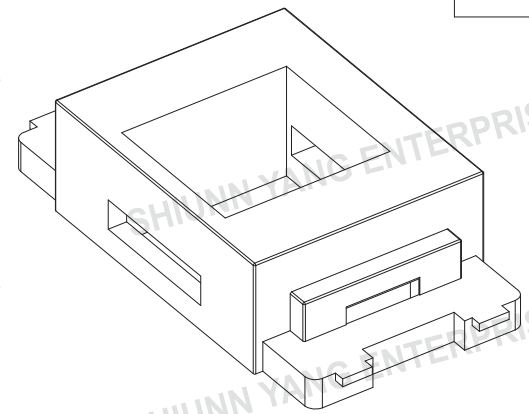
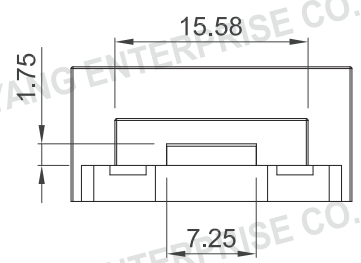
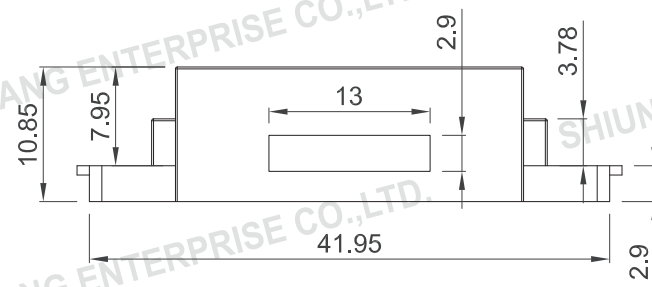


1 ROHS Compliant


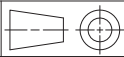
7	DATE	2012/08/14
	Revision	A



TOLERANCE	
.XXXX	---
.XXX	0.10
.XX	0.25
.X	0.38

MATERIAL

UL-94-V-0 Fire-Resistance ABS
 Snap-in Module Type : Keystone
 Standard Color : White

P/NO. SY-NWT-KH	
ITEM. Snap-in Module	CO. SY
DR. Wakka 2012/08/14	S/N. SY-NWT-KH
 Shiunn Yang Ent.Co.Ltd. TEL: 29089890 <REP> FAX: 29068849,29088679	APPD. CHKD.
	FILE. SY-NWT-KH
	SCALE /  UNIT mm SIZE A4

REV.	DESCRIPTION	ENG.	APPROVAL
1			