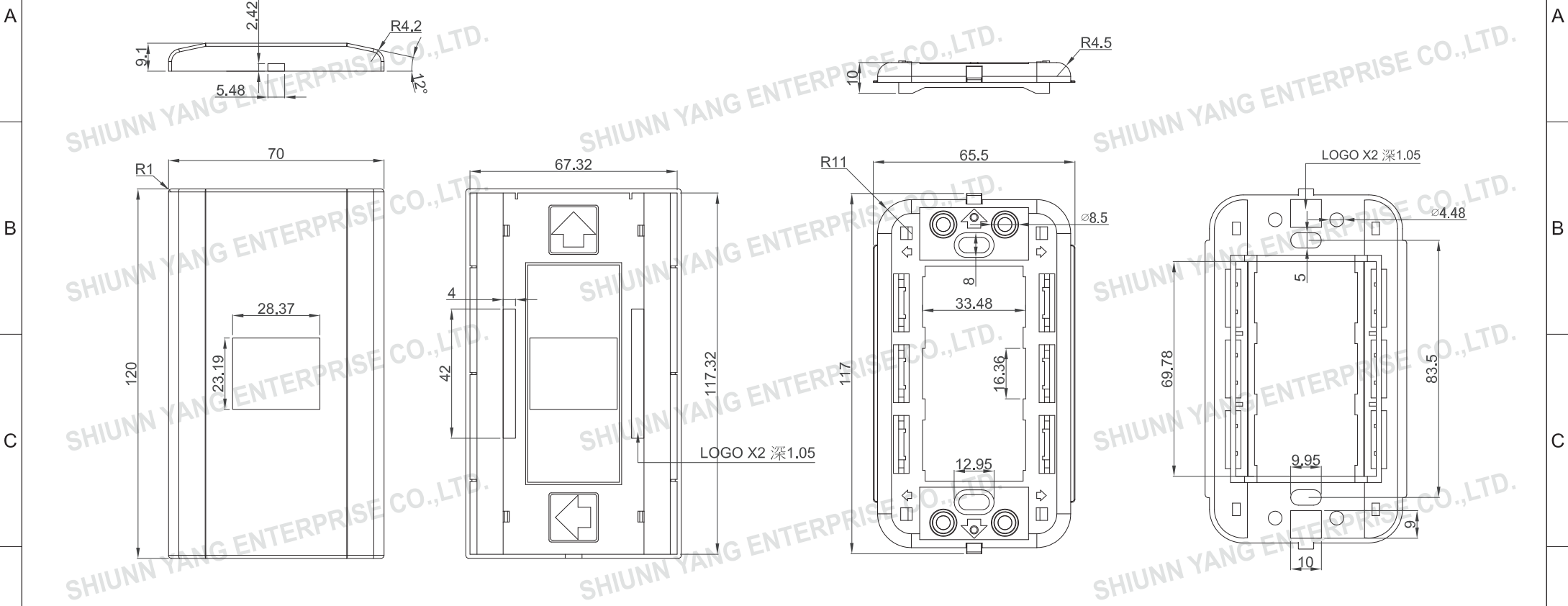



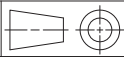
ROHS Compliant

DATE	2012/08/17
Revision	A



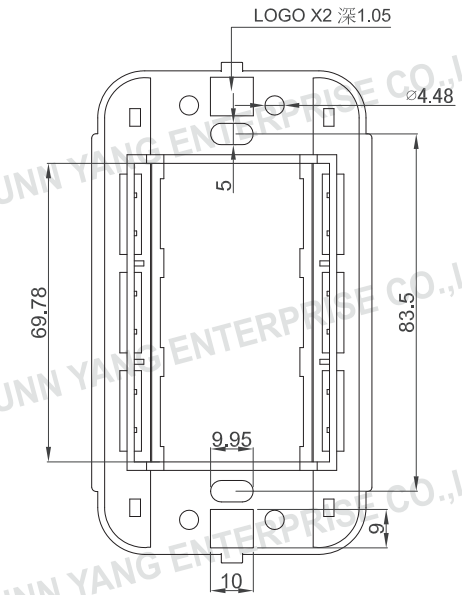
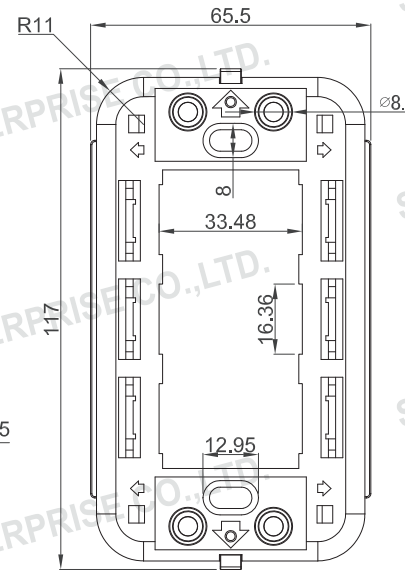
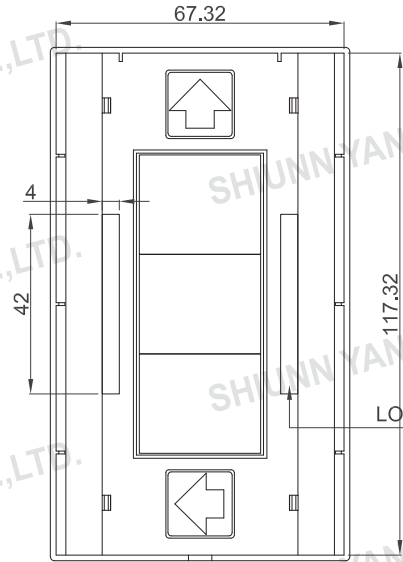
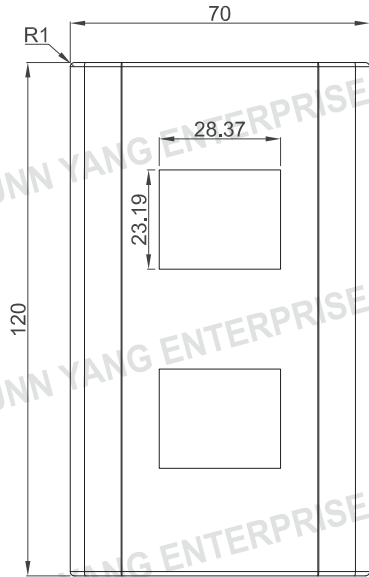
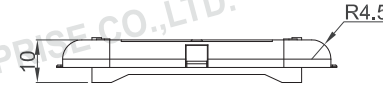
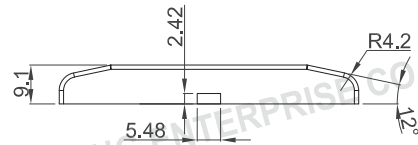
TOLERANCE	
.XXXX	---
.XXX	0.10
.XX	0.25
.X	0.38

MATERIAL			
HOUSING	ABS UL-94V-0		
COLOR	<input type="checkbox"/> WHITE <input type="checkbox"/> IVORY		
ENCLOSURE	<input type="checkbox"/> SCREW (3.5x20mm) x 2 <input type="checkbox"/> SCREW (3.5x25mm) x 2 <input type="checkbox"/> SCREW (6x25mm) x 2 <input type="checkbox"/> CLEAR COVER x2, WHITE PAPER(9.5x37mm) x2 <input type="checkbox"/> WHITE COVER <input type="checkbox"/> IVORY COVER		
REV.	DESCRIPTION	ENG.	APPROVAL

P/NO.		SY-N-1	
ITEM.	Wall Plate	CO.	SY
S/N.	SY-N-1	DR.	Wakka 2012/08/17
APPD.		CHKD.	
 Shiunn Yang Ent.Co.Ltd. TEL: 29089890 <REP> FAX: 29068849,29088679		FILE.	SY-N-1
		SCALE	/ 
		UNIT	mm SIZE A4

ROHS Compliant

DATE	2012/08/17
Revision	A



SHIUNN YANG ENTERPRISE CO.,LTD.

TOLERANCE	
.XXXX	---
.XXX	0.10
.XX	0.25
.X	0.38

MATERIAL

HOUSING	ABS UL-94V-0	COLOR	<input type="checkbox"/> WHITE <input type="checkbox"/> IVORY
ENCLOSURE	<input type="checkbox"/> SCREW (3.5x20mm) x 2	<input type="checkbox"/> SCREW (3.5x25mm) x 2	<input type="checkbox"/> SCREW (6x25mm) x 2
	9000352000	90035025TP2	7000602500
	<input type="checkbox"/> CLEAR COVER x2, WHITE PAPER(9.5x37mm) x2	<input type="checkbox"/> WHITE COVER	<input type="checkbox"/> IVORY COVER

P/NO. SY-N-2

ITEM.	Wall Plate	CO.	SY	S/N.	SY-N-2
DR.	Wakka 2012/08/17	APPD.		CHKD.	



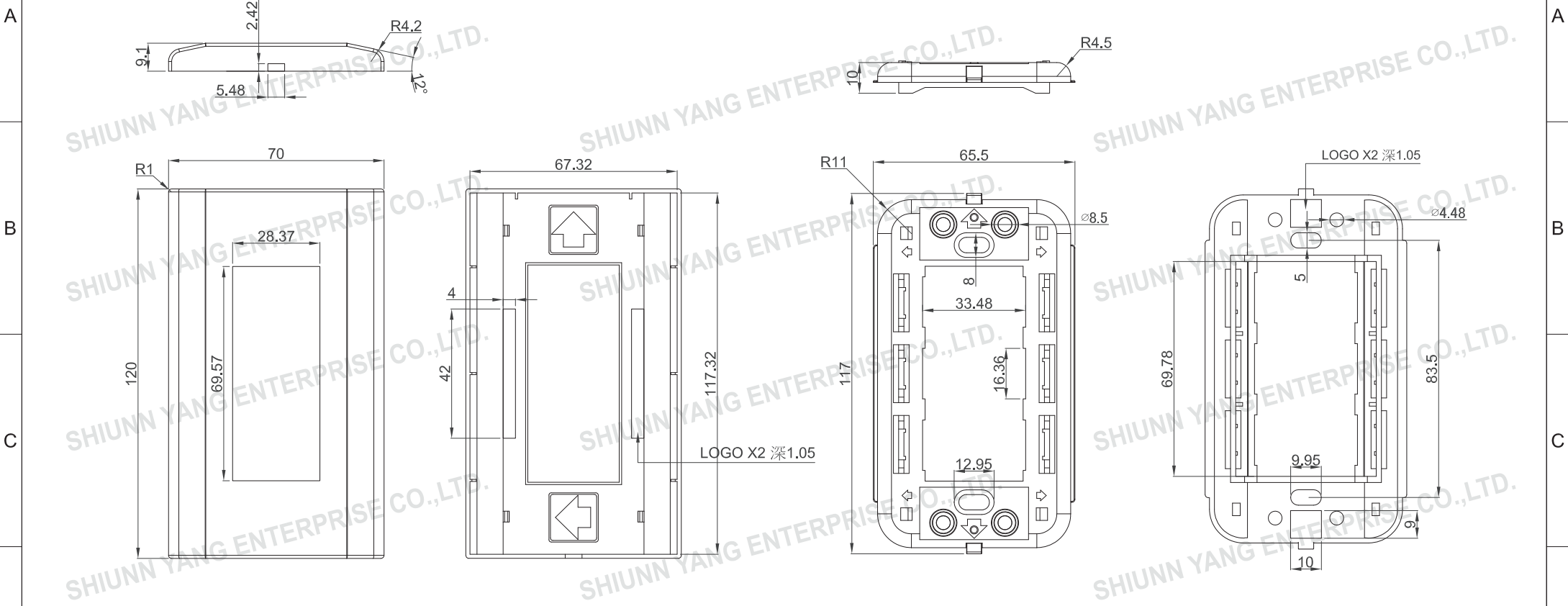
Shiunn Yang Ent.Co.Ltd.
TEL: 29089890 <REP>
FAX: 29068849,29088679

FILE.	SY-N-2
SCALE	/
UNIT	mm
SIZE	A4

REV.	DESCRIPTION	ENG.	APPROVAL
1	2	3	4

ROHS Compliant

DATE	2012/08/17
Revision	A



TOLERANCE	
.XXXX	---
.XXX	0.10
.XX	0.25
.X	0.38

MATERIAL			
HOUSING	ABS UL-94V-0	COLOR	<input type="checkbox"/> WHITE <input type="checkbox"/> IVORY
ENCLOSURE	<input type="checkbox"/> SCREW (3.5x20mm) x 2	<input type="checkbox"/> SCREW (3.5x25mm) x 2	<input type="checkbox"/> SCREW (6x25mm) x 2
	9000352000	90035025TP2	7000602500
	<input type="checkbox"/> CLEAR COVER x2, WHITE PAPER(9.5x37mm) x2	<input type="checkbox"/> WHITE COVER	<input type="checkbox"/> IVORY COVER
REV.	DESCRIPTION	ENG.	APPROVAL

P/NO. SY-N-3	
ITEM. Wall Plate	CO. SY
DR. Wakka 2012/08/17	S/N. SY-N-3
APPD. CHKD.	
 Shiunn Yang Ent.Co.Ltd. TEL: 29089890 <REP> FAX: 29068849,29088679	FILE. SY-N-3
	SCALE /
	UNIT mm SIZE A4