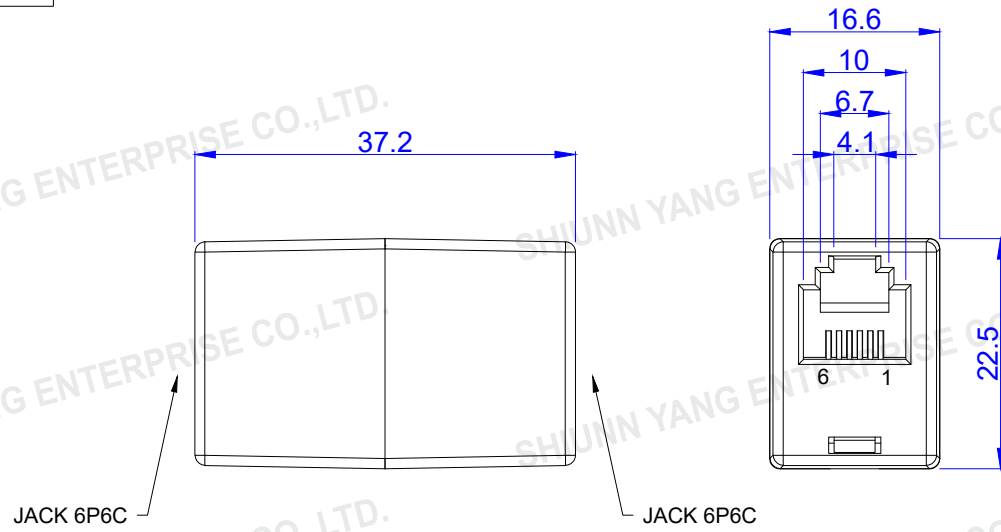


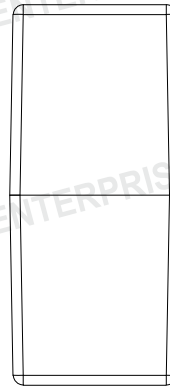
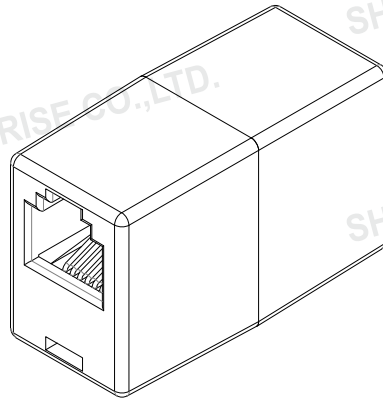
ROHS Compliant

Date	2014/12/11
Revision	A



JACK 6P6C

JACK 6P6C



JACK 6P6C		JACK 6P6C	
1	White	1	
2	Black	2	
3	Red	3	
4	Green	4	
5	Yellow	5	
6	Blue	6	


**WIRING**

**TOLERANCE**

.XXXX	----
.XXX	0.10
.XX	0.25
.X	0.38

**TECHNICAL DATA**

HOUSING	Standard - ABS Resin <input type="checkbox"/> UL94V-0 <input type="checkbox"/> UL94V-2	COLOR	<input type="checkbox"/> GRAY <input type="checkbox"/> BLACK <input type="checkbox"/> IVORY
CONTACT	ROUND WIRE : 0.46mm DIAMETER PHOSPHOR BRONZE GOLD PLATED OVER NICAL.		
GOLD-PLATING	<input type="checkbox"/> 0.0762um/3u inch <input type="checkbox"/> 0.15um/6u inch <input type="checkbox"/> 0.38um/15u inch <input type="checkbox"/> 0.76um/30u inch <input type="checkbox"/> 1.27um/50u inch		

<b>P/NO. SY350-6P6C</b>	
ITEM. Tele. Accessories	CO. SY
DR. Wakka 2014/12/11	FILE. SY350-6P6C
APPD. CHKD.	
 Shiunn Yang Ent.Co.Ltd. TEL: 29089890 <REP> FAX: 29068849,29088679	
SCALE	/ 
UNIT	mm SIZE A4
SHEET	REV.

REV.	DESCRIPTION	ENG.	APPROVAL
------	-------------	------	----------