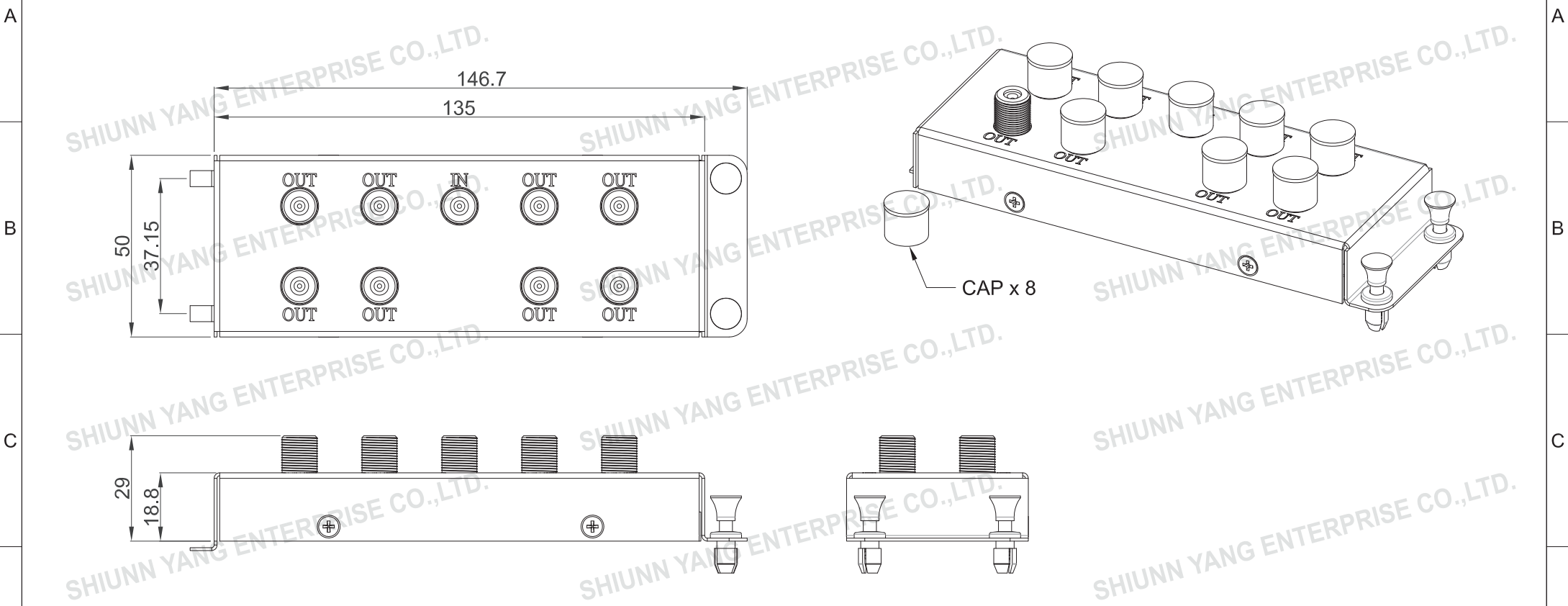



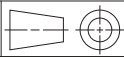
ROHS Compliant

DATE	2014/07/14
Revision	C



TOLERANCE	
.XXXX	---
.XXX	0.10
.XX	0.25
.X	0.38

MATERIAL	
MATERIAL	IRON
COLOR	GRAY
THICKNESS	0.8mm
ACCESSORY	CAP x 8

P/NO. SY-H518-8F-01		
ITEM.	CO. SY	S/N. SY-H518-8F-01
DR. Wakka 2014/07/14	APPD.	CHKD.
 Shuinn Yang Ent.Co.Ltd. TEL: 29089890 <REP> FAX: 29068849,29088679	FILE. SY-H518-8F-01	
	SCALE /	
	UNIT mm	SIZE A4

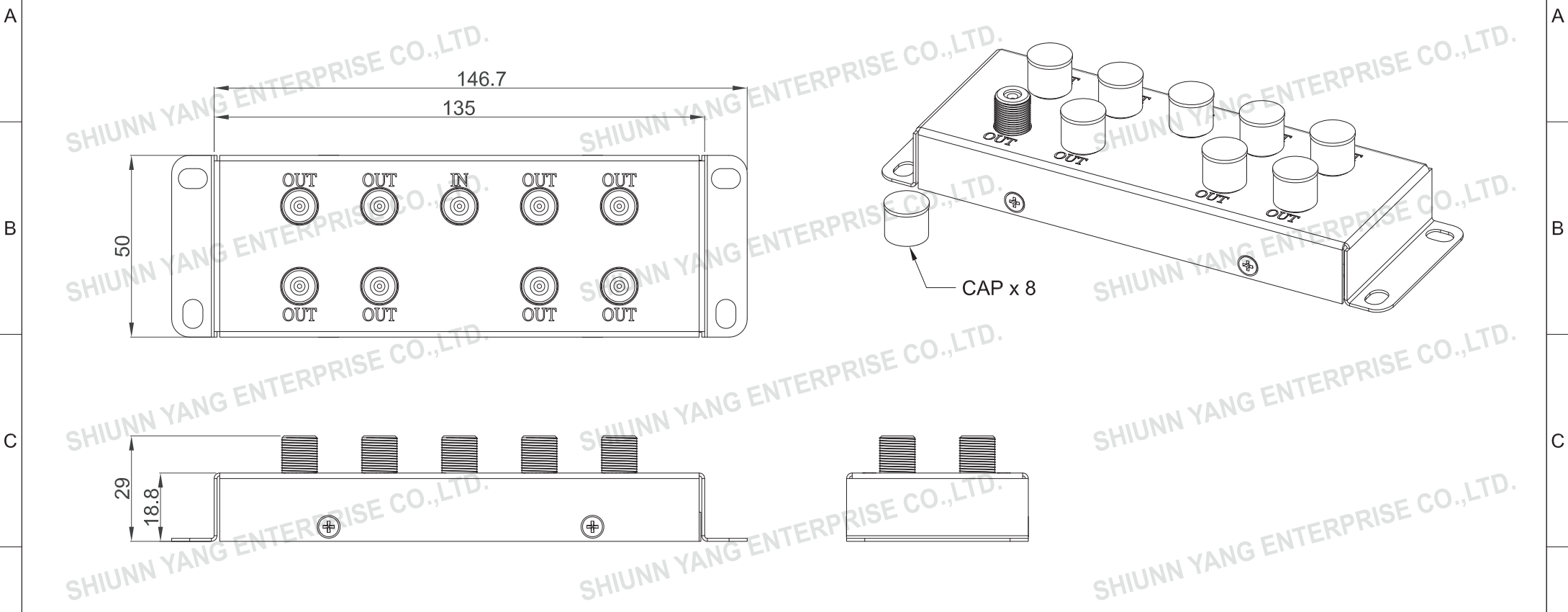
REV.	DESCRIPTION	ENG.	APPROVAL
1	2	3	4

E

E

ROHS Compliant

DATE	2014/07/14
Revision	C



TOLERANCE	
.XXXX	---
.XXX	0.10
.XX	0.25
.X	0.38

MATERIAL	
MATERIAL	IRON
COLOR	GRAY
THICKNESS	0.8mm
ACCESSORY	CAP x 8

P/NO. SY-H518-8F-02		
ITEM.	CO. SY	S/N. SY-H518-8F-02
DR. Wakka 2014/07/14	APPD.	CHKD.
Shiunn Yang Ent.Co.Ltd. TEL: 29089890 <REP> FAX: 29068849,29088679		FILE. SY-H518-8F-02
		SCALE /
		UNIT mm SIZE A4

REV.	DESCRIPTION	ENG.	APPROVAL
1	2	3	4