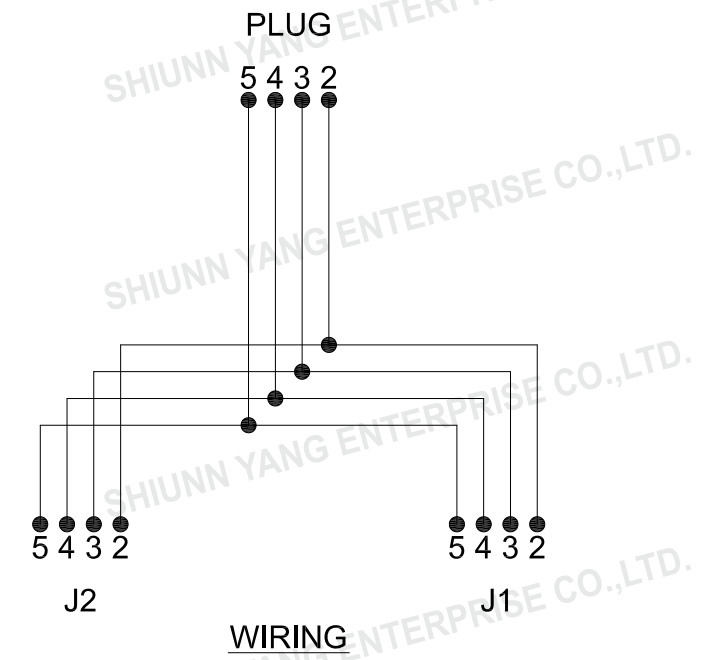
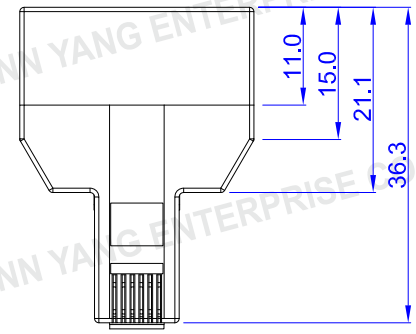
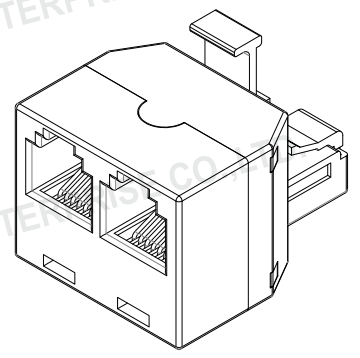
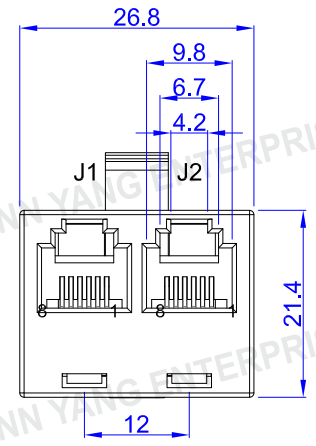
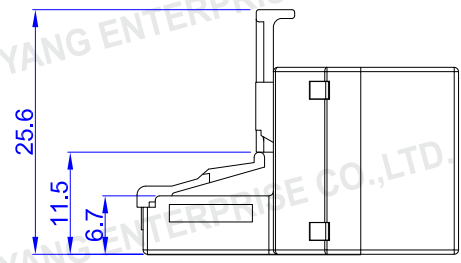


ROHS Compliant

Date	2014/12/11
Revision	A



TOLERANCE	
.XXXX	---
.XXX	0.10
.XX	0.25
.X	0.38

TECHNICAL DATA

HOUSING	Standard - ABS Resin <input type="checkbox"/> UL94V-0 <input type="checkbox"/> UL94V-2	COLOR	<input type="checkbox"/> GRAY <input type="checkbox"/> BLACK <input type="checkbox"/> IVORY
CONTACT	ROUND WIRE : 0.46mm DIAMETER PHOSPHOR BRONZE GOLD PLATED OVER NICAL.		
GOLD-PLATING	<input type="checkbox"/> 0.0762um/3u inch <input type="checkbox"/> 0.15um/6u inch <input type="checkbox"/> 0.38um/15u inch <input type="checkbox"/> 0.76um/30u inch <input type="checkbox"/> 1.27um/50u inch		

REV.	DESCRIPTION	ENG.	APPROVAL
------	-------------	------	----------

P/NO. SY267-6P6C	
ITEM. Tele. Accessories	CO. SY FILE. SY267-6P6C
DR. Wakka 2014/12/11	APPD. CHKD.
 Shiunn Yang Ent.Co.Ltd. TEL: 29089890 <REP> FAX: 29068849,29088679	SCALE /  UNIT mm SIZE A4 SHEET REV.