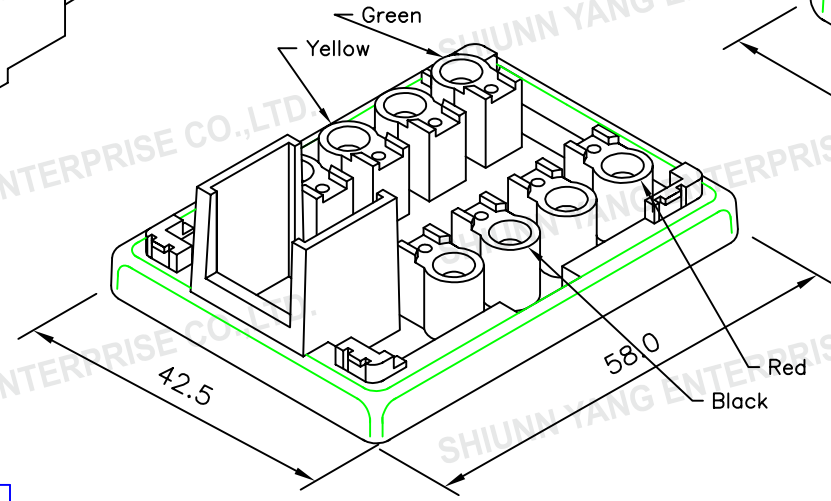
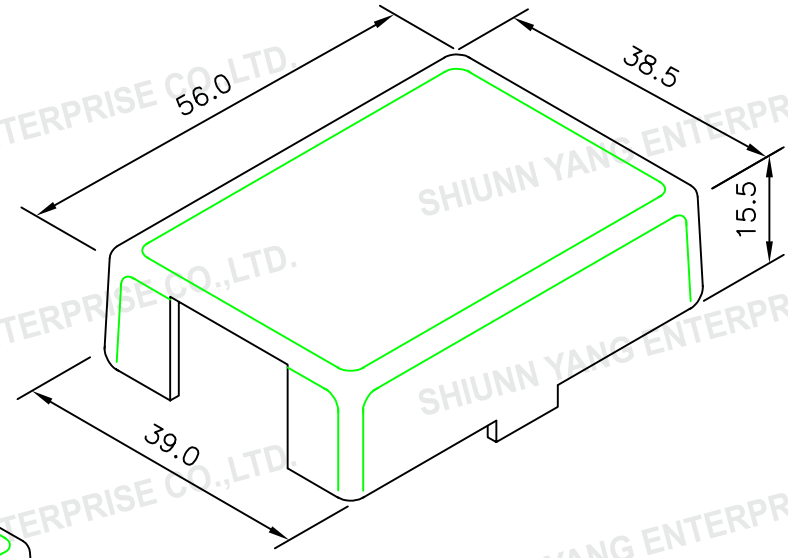
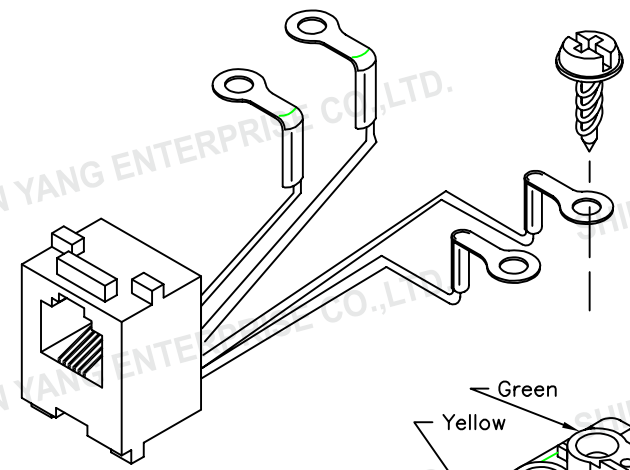


Date	2006/01/20
Revision	A




JACK	COLOR
2	Black
3	Red
4	Green
5	Yellow

WIRING

TOLERANCE	
.XXXX	----
.XXX	0.10
.XX	0.25
.X	0.38

P/NO. SY468S-6P4C

MATERIAL			
HOUSING	Standard - ABS Resin <input type="checkbox"/> UL94V0 <input type="checkbox"/> UL94V2	COLOR	<input type="checkbox"/> BLACK <input type="checkbox"/> IVORY <input type="checkbox"/> GRAY
CONTACT	0.46 mm Dia. Phosphor Bronze, Gold plating over Nickel		
OPTIONAL	<input type="checkbox"/> 6u inch <input type="checkbox"/> 15u inch <input type="checkbox"/> 30u inch <input type="checkbox"/> 50u inch		
REV.	DESCRIPTION	ENG.	APPROVAL

ITEM. Tele. Accessories	CO. SY	FILE. SY468S-6P4C
DR. Hansum2006/01/20	APPD.	CHKD.
 Shiunn Yang Ent.Co.Ltd. TEL: 29089890 <REP> FAX: 29068849,29088679	SCALE /	
	UNIT mm	SIZE A4
	SHEET	REV.