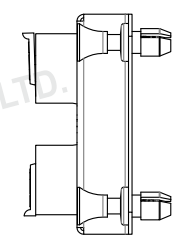
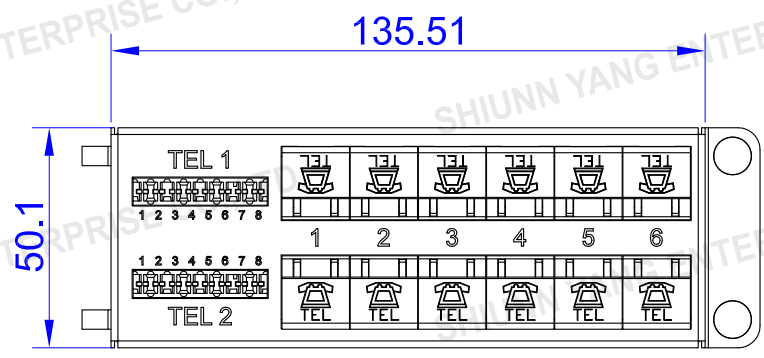
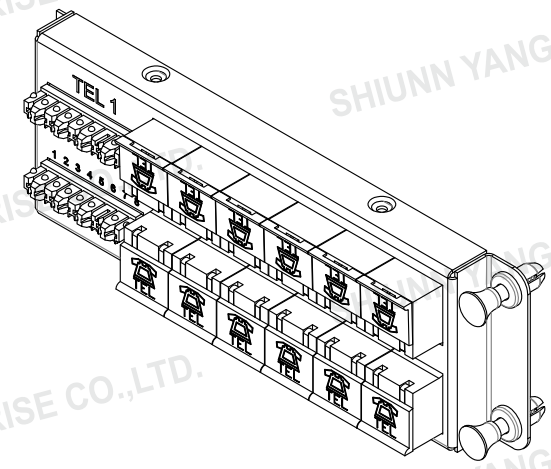
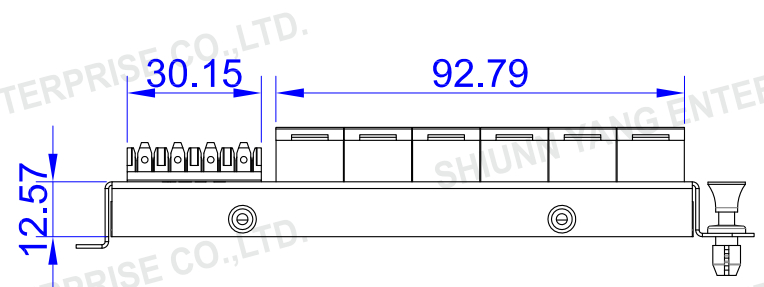


1 ROHS Compliant

| | |
|----------|------------|
| 7 DATE | 2016/09/20 |
| Revision | A |



| TOLERANCE | |
|-----------|------|
| .XXXX | --- |
| .XXX | 0.10 |
| .XX | 0.25 |
| .X | 0.38 |

| MATERIAL | |
|-----------|-------|
| MATERIAL | IRON |
| COLOR | GRAY |
| THICKNESS | 0.8mm |

P/NO. SY-H509-RJ45-01

| | | |
|---------------------|--------|----------------------|
| ITEM. | CO. SY | S/N. SY-H509-RJ45-01 |
| DR. Mark 2016/09/20 | APPD. | CHKD. |



Shiuann Yang Ent.Co.Ltd.
 TEL: 29089890 <REP>
 FAX: 29068849,29088679

| | |
|-----------------------|---------|
| FILE. SY-H509-RJ45-01 | |
| SCALE / | |
| UNIT mm | SIZE A4 |

| REV. | DESCRIPTION | ENG. | APPROVAL |
|------|-------------|------|----------|
| 1 | | | |

A
B
C
D
E

A
B
C
D
E

1 ROHS Compliant

| | |
|----------|------------|
| 7 DATE | 2016/09/20 |
| Revision | A |

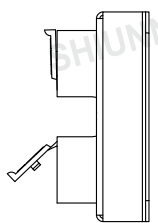
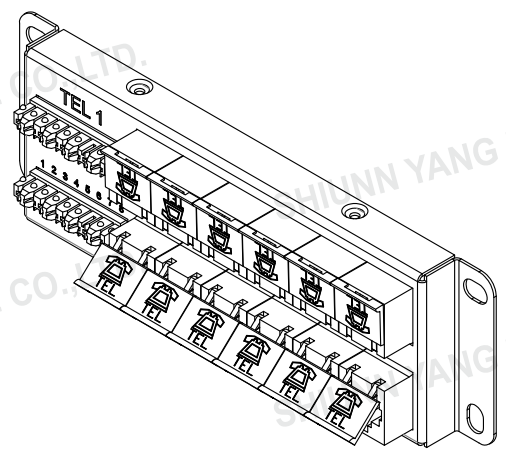
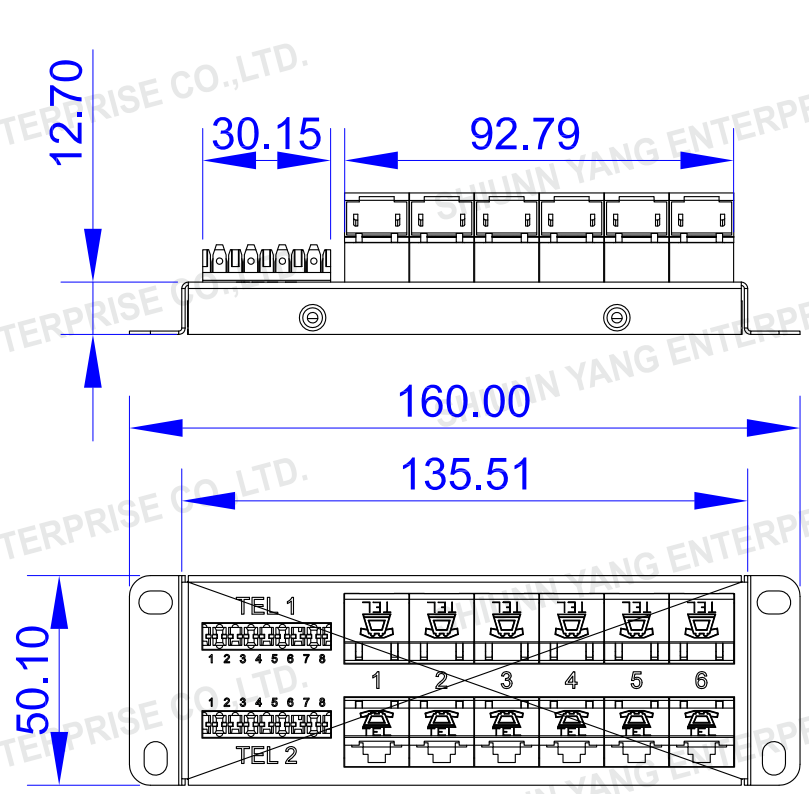
A

B

C

D

E



| TOLERANCE | |
|-----------|------|
| .XXXX | --- |
| .XXX | 0.10 |
| .XX | 0.25 |
| .X | 0.38 |

| MATERIAL | |
|-----------|-------|
| MATERIAL | IRON |
| COLOR | GRAY |
| THICKNESS | 0.8mm |

| REV. | DESCRIPTION | ENG. | APPROVAL |
|------|-------------|------|----------|
| 1 | | | |

P/NO. SY-H509-RJ45-02

| | | |
|---------------------|--------|----------------------|
| ITEM. | CO. SY | S/N. SY-H509-RJ45-02 |
| DR. Mark 2016/09/20 | APPD. | CHKD. |

Shiunn Yang Ent.Co.Ltd.
TEL: 29089890 <REP>
FAX: 29068849,29088679

| | |
|----------------------|---------|
| FILE.SY-H509-RJ45-02 | |
| SCALE / | |
| UNIT mm | SIZE A4 |

A

B

C

D

E