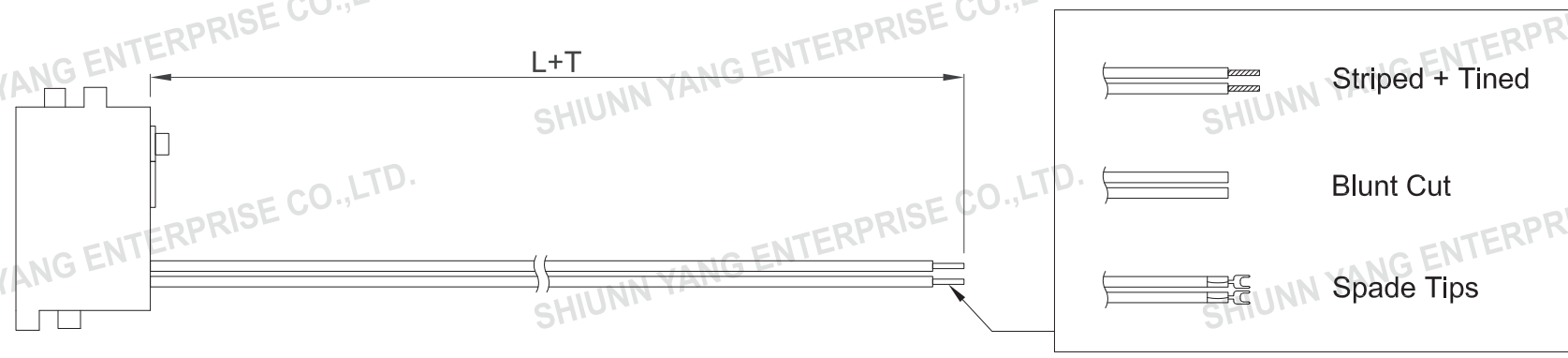
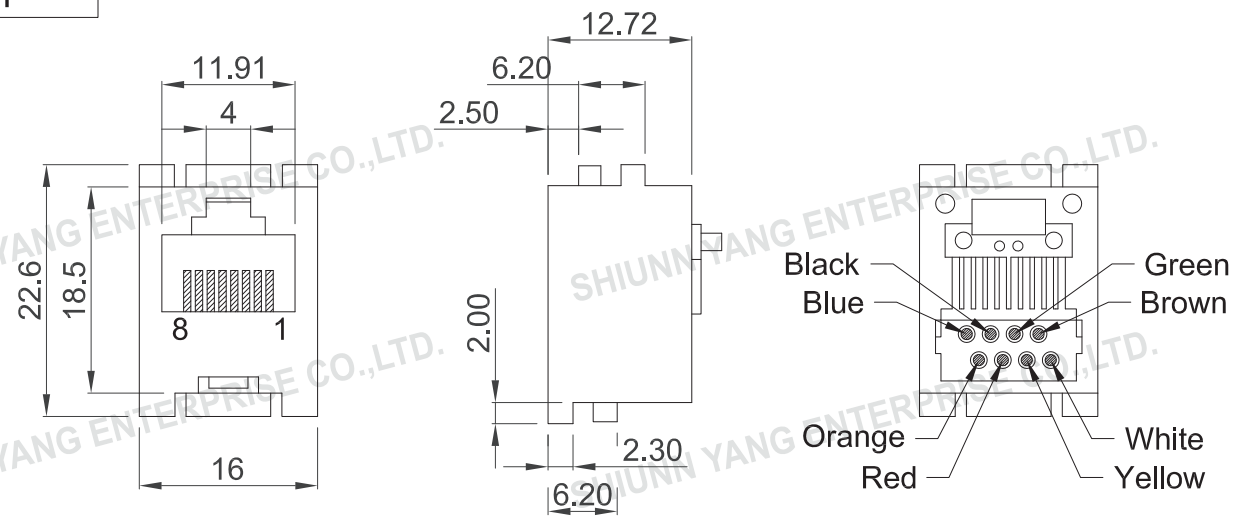



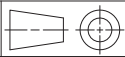
ROHS Compliant

DATE	2012/02/21
Revision	A



TOLERANCE	
.XXXX	----
.XXX	0.10
.XX	0.25
.X	0.38

MATERIAL			
HOUSING	Standard - ABS Resin <input checked="" type="checkbox"/> UL94V0 <input type="checkbox"/> UL94V2	COLOR	<input type="checkbox"/> BLACK <input type="checkbox"/> IVORY <input type="checkbox"/> GRAY
CONTACT	0.46 mm Dia. Phosphor Bronze , Gold plating over Nickel	WIRE LEAD END STYLES	<input type="checkbox"/> STRIPED + TINED
OPTIONAL	<input checked="" type="checkbox"/> 6u inch <input type="checkbox"/> 15u inch <input type="checkbox"/> 30u inch <input type="checkbox"/> 50u inch		<input type="checkbox"/> BLUNT CUT
WIRE	UL-1061 E41396 AWM80°C VW-1 300V 26AWG , PVC Insulation		<input type="checkbox"/> Other:

P/NO. SY-647	
ITEM. WIRING JACK	CO. SY
DR. Wakka 2012/02/21	S/N. SY-647
APPD. CHKD.	
FILE. SY-647	
 Shiunn Yang Ent.Co.Ltd. TEL: 29089890 <REP> FAX: 29068849,29088679	
SCALE /	
UNIT mm	SIZE A4

REV.	DESCRIPTION	ENG.	APPROVAL
1	2	3	4