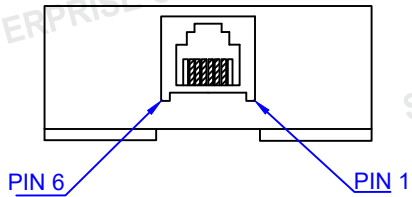
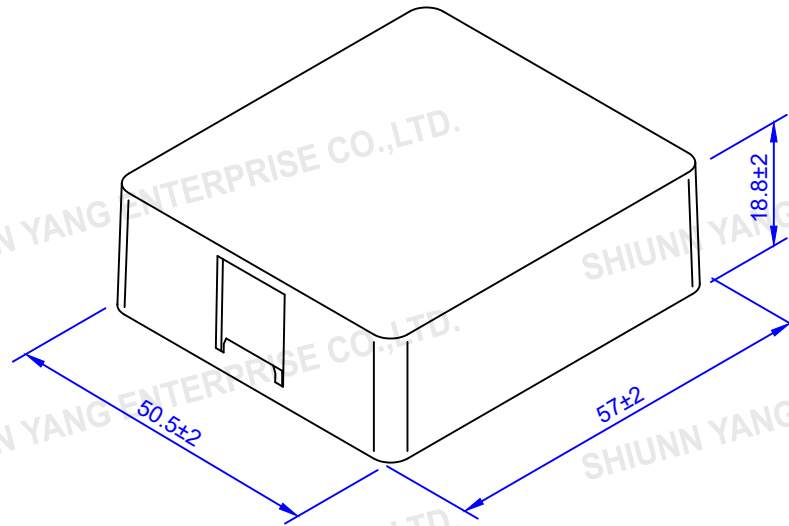
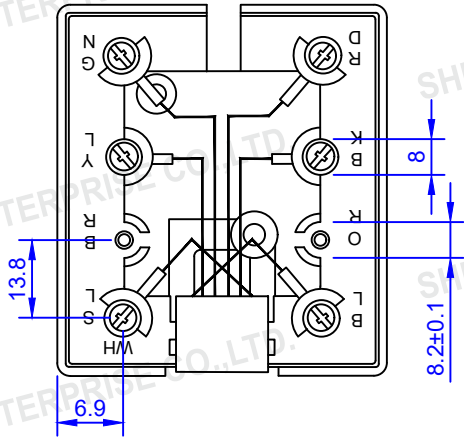


ROHS Compliant


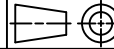
Date	2019/10/16
Revision	B



(8P8C)	SY-468	
6	P1	50 x 55 x 2mm Double-sided Tape
5	BL (13)	
4	YL (15)	
3	GN (13)	
2	RD (15)	
1	BK (13)	
	WH (15)	

P/NO. SY468-6P6C

MATERIAL			
HOUSING	Standard - ABS Resin <input type="checkbox"/> UL94V0 <input type="checkbox"/> UL94V2	COLOR	<input type="checkbox"/> BLACK <input type="checkbox"/> IVORY <input type="checkbox"/> GRAY
COLD-PLATING	<input type="checkbox"/> 0.15U M/6U" MINIMUM <input type="checkbox"/> 0.38U M/15U" MINIMUM <input type="checkbox"/> 0.76U M/30U" MINIMUM <input type="checkbox"/> 1.27U M/50U" MINIMUM		
CONTACT	0.46 DIAMETER PHOSPHOR BRONZE GOLD PLATED OVER NICKEL		
REV.	DESCRIPTION	ENG.	APPROVAL

ITEM. Tele. Accessories	CO. SY	FILE. SY468-6P6C
DR.	APPD. Sweet 2019/16	CHKD.
 Shiunn Yang Ent.Co.Ltd. TEL: 29089890 <REP> FAX: 29088679	SCALE /	
	UNIT mm	SIZE A4
	SHEET	REV.