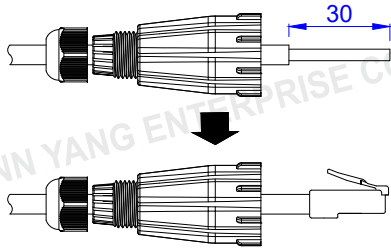


ROHS Compliant

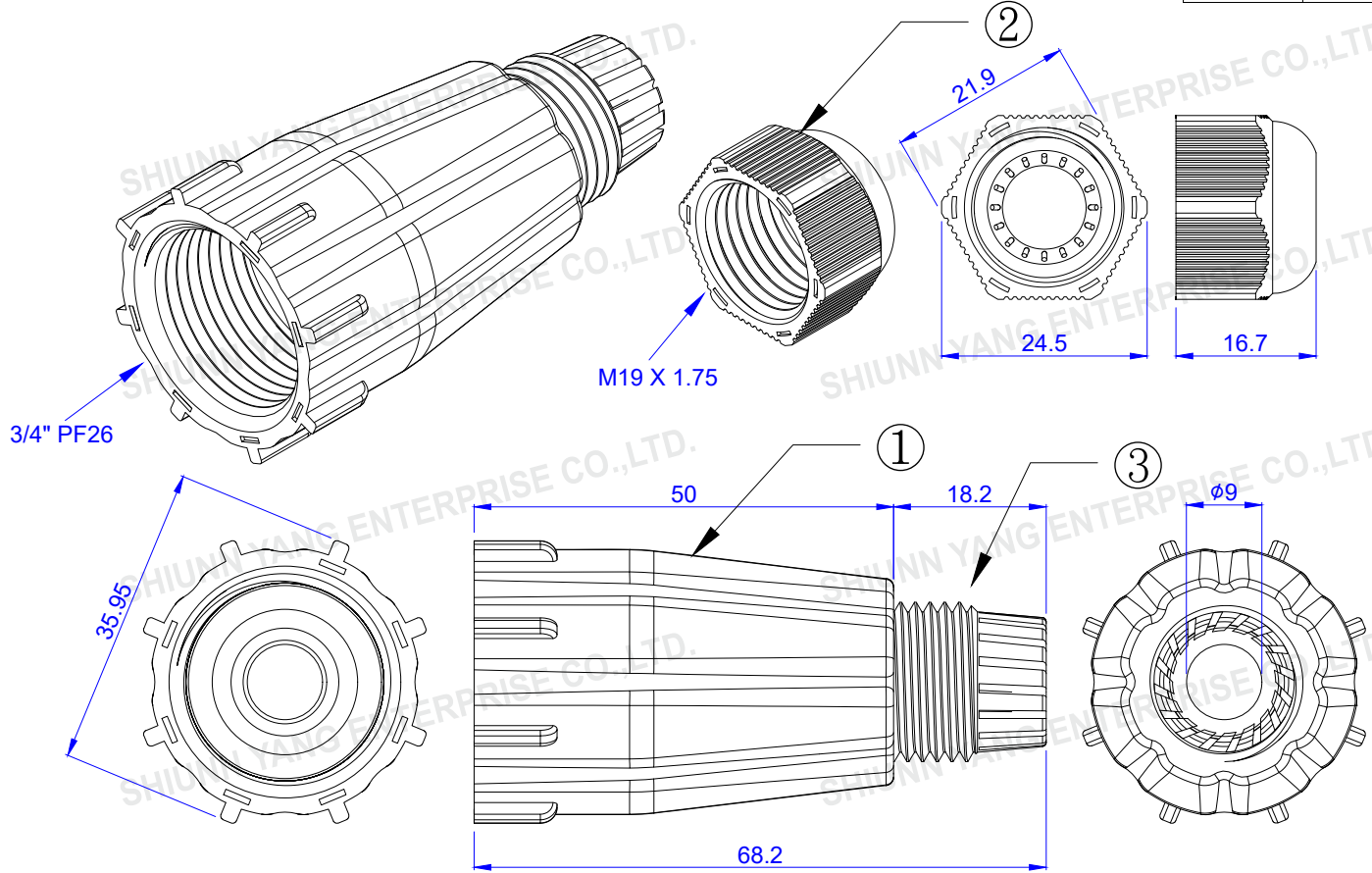
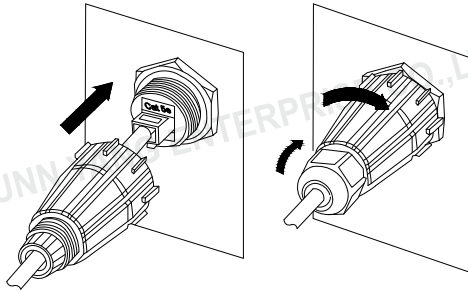
DATE	2020/02/24
Revision	C

PHYSICAL CHARACTERISTICS :  
 \*Operating temperature : -10°C~+60°C  
 \*Storage temperature:-40°C~+68°C

Illustration :  
 Step 1 :  
 Strip the cable jacket around 30mm, spread each pair and crimp the modular plug.




Step 2 :  
 Plug in the modular plug with socket, turn tight the boot then completed the mating.



TOLERANCE	
.XXX	0.10
.XX	0.25
.X	0.38

MATERIAL		
①	MAIN BODY	PC UL94V-0
②	SEALING NUT	PC UL94V-0
③	BACK GASKET	Rubber

<b>P/NO. SY-WP-AK</b>	
ITEM. IP68 Waterproof	CO. SY
DR.	APPD. Sweet 2020/02/24
S/N. SY-WP-AK	
CHKD.	
FILE. SY-WP-AK	
 Shiunn Yang Ent.Co.Ltd. TEL: 29089890 <REP> FAX: 29088679	SCALE /
	UNIT mm
SIZE A4	