

ROHS Compliant

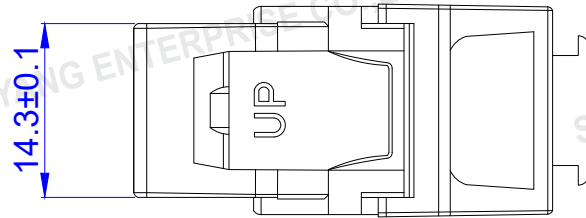
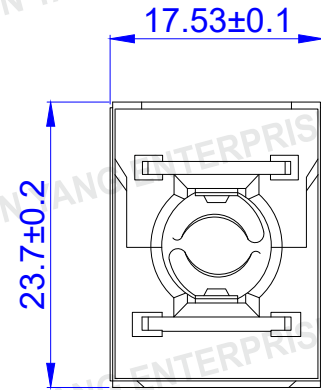
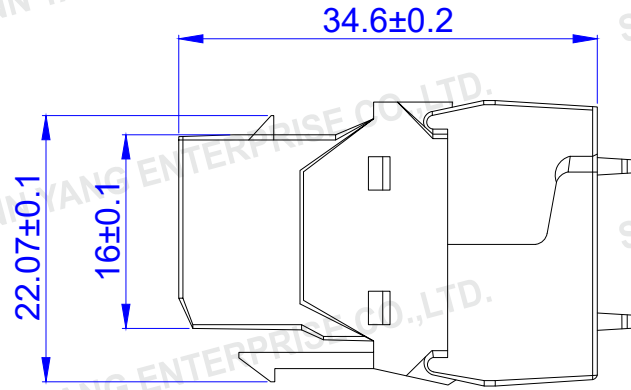
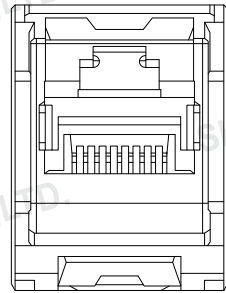
DATE	2020/03/19
Revision	A

Features :

- T-568A/B Dual wiring
- RJ45 complies with FCC part 68 standard
- Provides termination for 22~26 AWG wire
- Jack insertion life >750 mating cycles
- IDC insertion life >250 mating cycles
- Operating temperature : -40°C~+60°C

Electrical :

- Contact resistance : 20M ohm
- DC Current rating : 1.5Amps
- Insulation Resistance : 500M ohm
- Dielectric withstanding voltage : 100V



MATERIAL

CATEGORY	<input type="checkbox"/> CAT.5E <input type="checkbox"/> CAT.6 <input type="checkbox"/> CAT.3 <input checked="" type="checkbox"/> OTHER CAT.6A
HOUSING	DIE - CASTING
CONTACT	0.35 mm DIAMETER PHOSPHOR BRONZE GOLD PLATED OVER NICKEL
GOLD-PLATING	<input type="checkbox"/> 0.0762um/3u inch <input type="checkbox"/> 0.15um/6u inch <input type="checkbox"/> 0.38um/15u inch <input type="checkbox"/> 0.76um/30u inch <input checked="" type="checkbox"/> 1.27um/50u inch
COLOR	<input type="checkbox"/> WHITE <input type="checkbox"/> BLACK <input type="checkbox"/> GREEN <input type="checkbox"/> BLUE <input type="checkbox"/> YELLOW <input type="checkbox"/> RED <input type="checkbox"/> ORANGE <input type="checkbox"/> IVORY <input type="checkbox"/> OTHER _____
TYPE OF PRODUCT	<input type="checkbox"/> UNSHIELD <input checked="" type="checkbox"/> SHIELD : DIE - CASTING

P/NO. SY-504S-C6A

ITEM. Keystone Jack	CO. SY	S/N. SY-504S-C6A
---------------------	--------	------------------

DR.	APPD. Sweet 2020/03/19	CHKD.
-----	------------------------	-------



Shiunn Yang Ent.Co.Ltd.
TEL: 29089890 <REP>
FAX: 29088679

FILE. SY-504S-C6A

SCALE /	
---------	--

UNIT mm	SIZE A4
---------	---------

REV.	DESCRIPTION	ENG.	APPROVAL
------	-------------	------	----------