

ROHS Compliant

DATE	2020/04/07
Revision	A

PHYSICAL CHARACTERISTICS

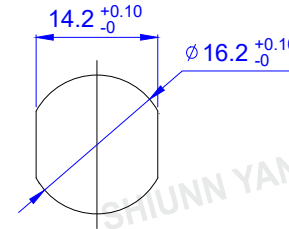
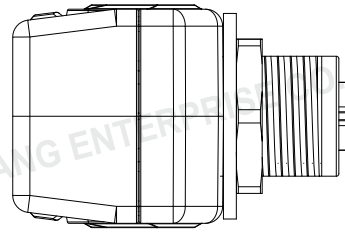
RJ45 INSERTION LIFE: 750 MATING CYCLES WITH FCC COMPLIANT 8P PLUG.
 RJ45 CONTACT FORCE: 100 GRAMS WITH FCC COMPLIANT 8P PLUG.
 RJ45 PLUG RETENTION FORCE: 11 LBF MIN.
 OPERATING TEMPERATURE RANGE : -10°C ~ 60 °C.
 STORAGE TEMPERATURE RANGE: -40 °C ~ 68 °C.
 HUMIDITY : 10% ~ 90% RH (NON-CONDENSING).

ELECTRICAL

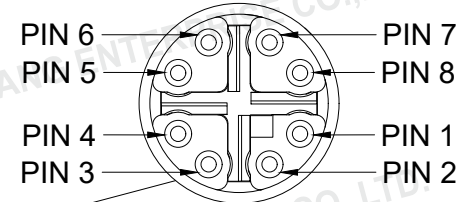
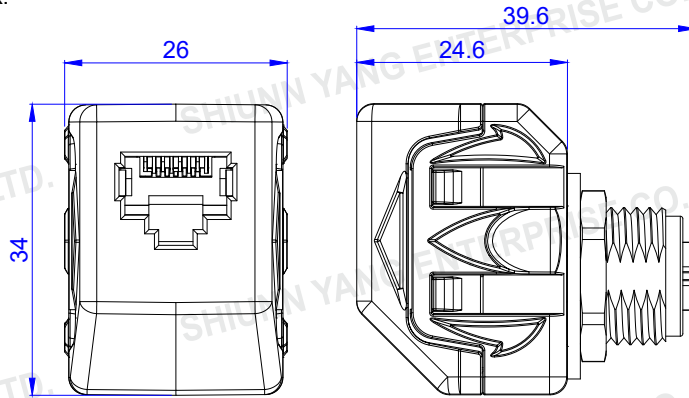
INSULATION RESISTANCE : 100 MΩ MIN.
 DC CURRENT RATING : 1.5 Amps.
 RJ45 INPUT TO OUTPUT D.C. RESISTANC: 100 mΩ MAX.
 CONTACT RESISTANCE : 15 mΩ MAX.
 VOLTAGE PROOF (CONTACT TO CONTACT): 500 V AC.
 VOLTAGE PROOF (CONTACT TO SHIELD): 500 V DC.

NOTE

• ONLY ACCEPT RJ-45 8P8C PLUG.

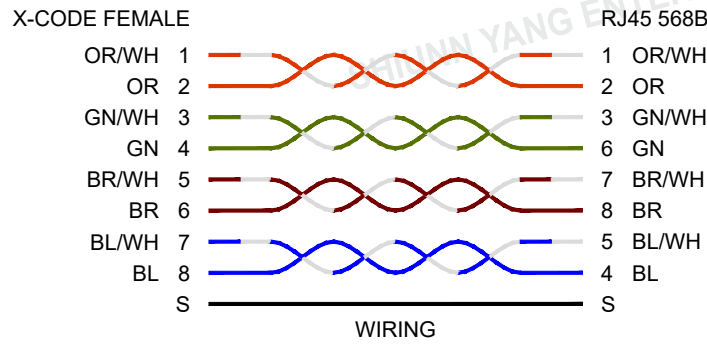


Recommended Panel Cut-Out



M12 X-CODE 8PIN FEMALE

M12 X-code Female



TOLERANCE	
.XXX	0.10
.XX	0.25
.X	0.38

MATERIAL			
BRACKET	NICKEL SILVER ALLOY	M12 INSULATOR	THERMOSETTING POLYMER
ADAPTER HOUSING	ZINC ALLOY, NICKEL PLATED	M12 SHELL	COPPER ALLOY, NICKEL PLATED
CONTACT HOLDER	PC, UL94V-0	M12 DIE CASTING	ZINC ALLOY, NICKEL PLATED
RJ45 CONTACTS	PHOSPHOR BRONZE, 50U" GOLD PAINTING		
M12 METAL PARTS	COPPER ALLOY, 30U" GOLD PAINTING		
REV.	DESCRIPTION	ENG.	APPROVAL
1			

P/NO. SY-M12-X-8-STP			
ITEM. M12	CO. SY	S/N. SY-M12-X-8-STP	
DR.	APPD. Sweet 2020/04/07	CHKD.	
 Shiunn Yang Ent.Co.Ltd. TEL: 29089890 <REP> FAX: 29088679		FILE. SY-M12-X-8-STP	
		SCALE /	
		UNIT mm	SIZE A4