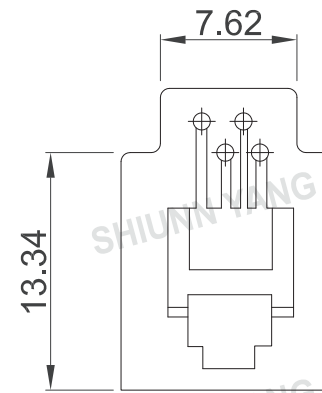
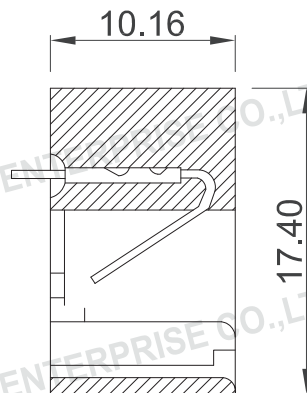
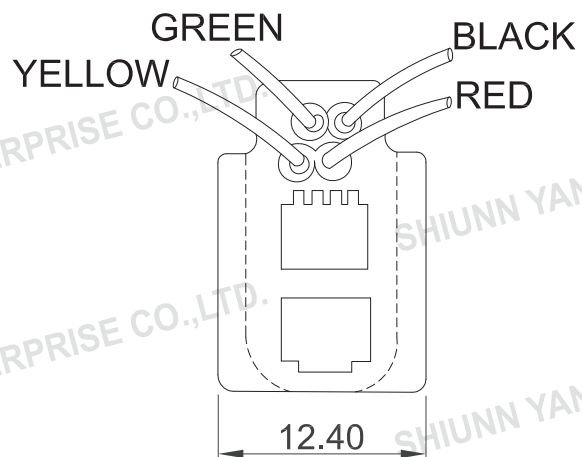


ROHS Compliant

Date 2012/07/12

Revision A



TOLERANCE	
.XXXX	----
.XXX	0.10
.XX	0.25
.X	0.38

TECHNICAL DATA

HOUSING	STANDARD MATERIAL 15% GLASS FILLED PBT <input checked="" type="checkbox"/> UL94V-0 <input type="checkbox"/> UL94V-2 COLOR <input type="checkbox"/> GRAY <input type="checkbox"/> BLACK
CONTACT	<input type="checkbox"/> ROUND WIRE : 0.46mm DIAMETER PHOSPHOR BRONZE GOLD PLATED OVER NICAL.
	<input type="checkbox"/> FLAT WIRE : 0.35mm THICKNESS PHOSPHOR BRONZE GOLD PLATED OVER NICAL.
TIN PLATED OVER NICKEL ON SOLDER AREA.	
GOLD-PLATING	<input type="checkbox"/> 0.0762um/3u inch <input type="checkbox"/> 0.15um/6u inch <input type="checkbox"/> 0.38um/15u inch <input type="checkbox"/> 0.76um/30u inch <input type="checkbox"/> 1.27um/50u inch
WIRE	UL-1061 E41396 AWM80°C VW-1 300V 26AWG, PVC Insulation

P/NO. 616M

ITEM.Modular Wiring Jack CO. SY FILE. 616M

DR. Wakka 2012/07/12 APPD. CHKD.



Shunn Yang Ent.Co.Ltd.
TEL: 29089890 <REP>
FAX: 29068849,29088679

SCALE	/		
UNIT	mm	SIZE	A4
SHEET		REV.	