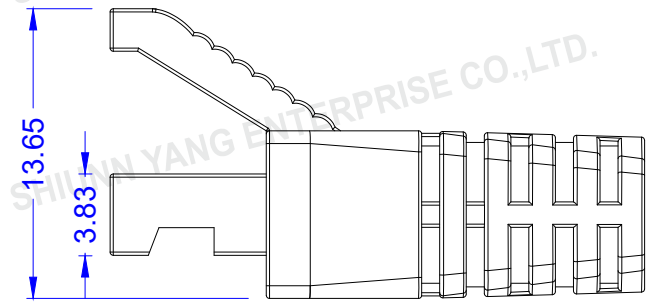
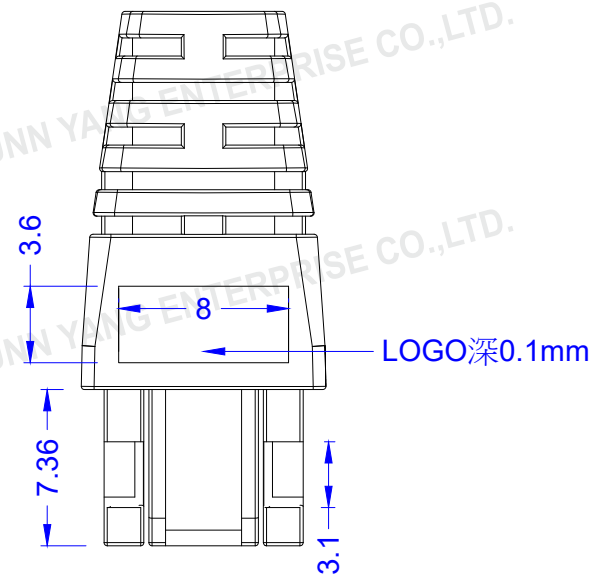
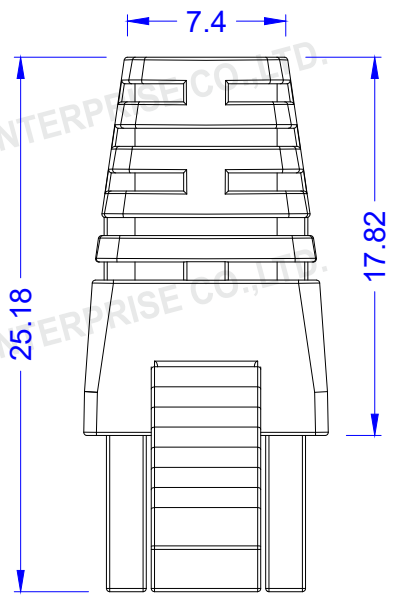
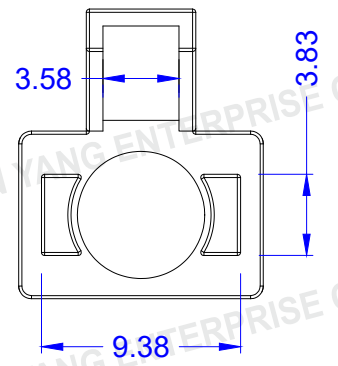
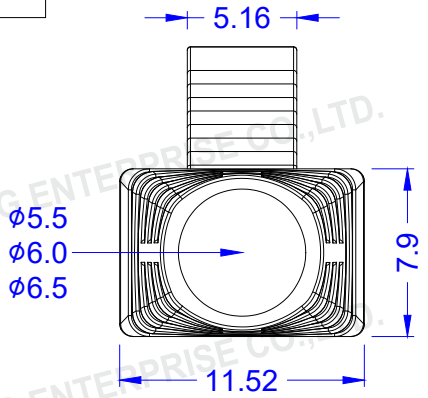


ROHS Compliant

DATE	2020/06/23
Revision	B




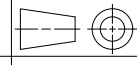
TOLERANCE	
.XXX	0.10
.XX	0.25
.X	0.38

MATERIAL

HOUSING	Fire-resistance PVC
CONTACT	PHOSPHOR BRONZE FINE GOLD PLATED OVER NICKEL
COLOR	<input type="checkbox"/> WHITE <input type="checkbox"/> BLACK <input type="checkbox"/> GREEN <input type="checkbox"/> BLUE <input type="checkbox"/> YELLOW <input type="checkbox"/> RED <input type="checkbox"/> ORANGE <input type="checkbox"/> IVORY <input type="checkbox"/> OTHER _____

P/NO. SY-CCB6-6.0-XX

ITEM. Boot	CO. SY	S/N. SY-CCB6-XX
DR.	APPD. Sweet 2020/06/23	CHKD.

	Shiunn Yang Ent.Co.Ltd. TEL: 29089890 <REP> FAX: 29088679	FILE. SY-CCB6-XX
		SCALE / 
	UNIT mm	SIZE A4

REV.	DESCRIPTION	ENG.	APPROVAL
1			