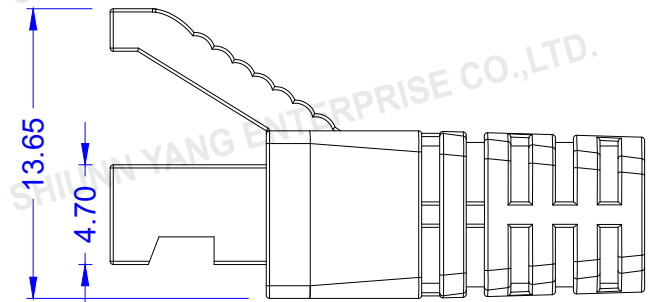
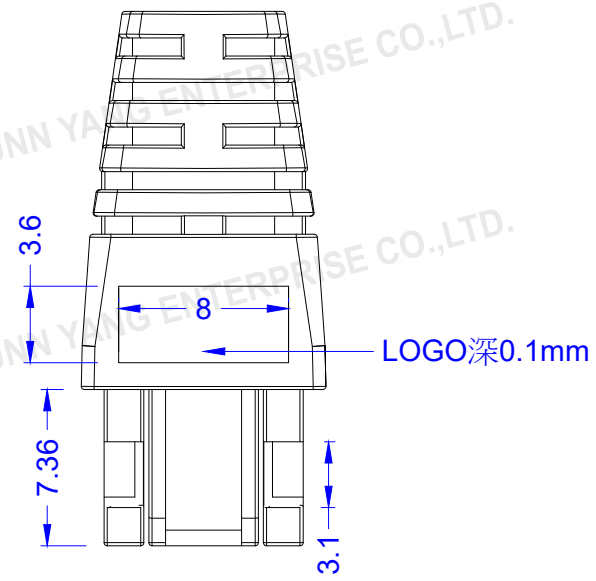
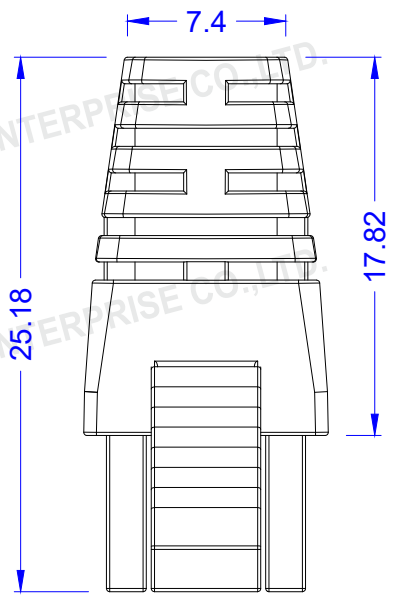
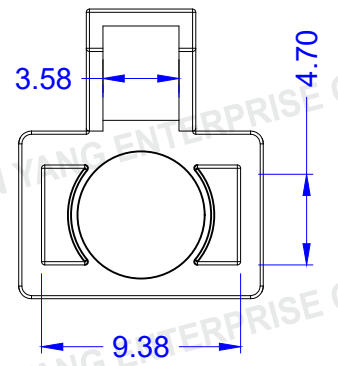
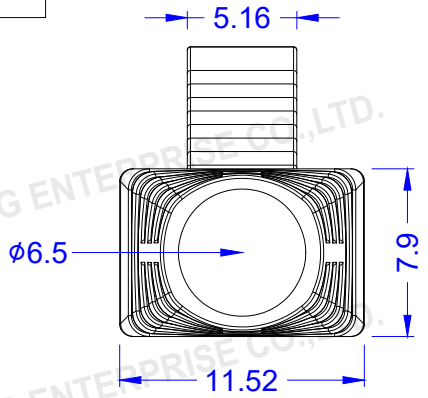


ROHS Compliant

DATE	2020/06/23
Revision	B



TOLERANCE	
.XXX	0.10
.XX	0.25
.X	0.38

MATERIAL

HOUSING Fire-resistance PVC

CONTACT PHOSPHOR BRONZE FINE GOLD PLATED OVER NICKEL

COLOR WHITE BLACK GREEN BLUE YELLOW RED ORANGE IVORY OTHER _____

REV. DESCRIPTION ENG. APPROVAL

P/NO. SY-CCB6-6.5XX6

ITEM. Boot CO. SY S/N. SY-CCB6-XX

DR. APPD. Sweet 2020/06/23 CHKD.

FILE. SY-CCB6-XX

SCALE / UNIT mm SIZE A4



Shiunn Yang Ent.Co.Ltd.
TEL: 29089890 <REP>
FAX: 29088679

A
B
C
D

A
B
C
D

1 2 3 4 5 6 7