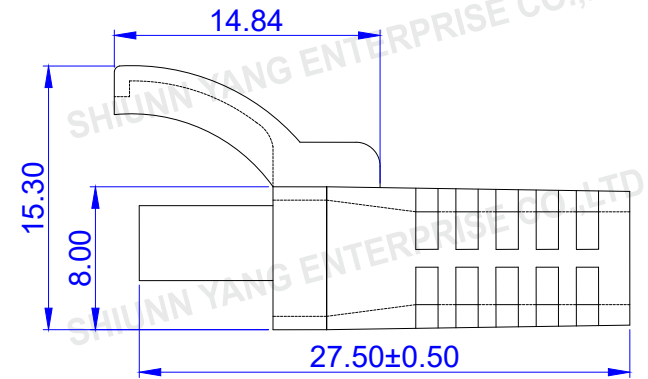
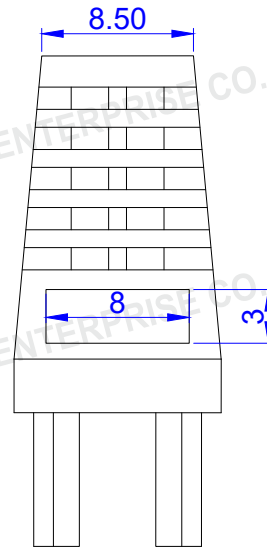
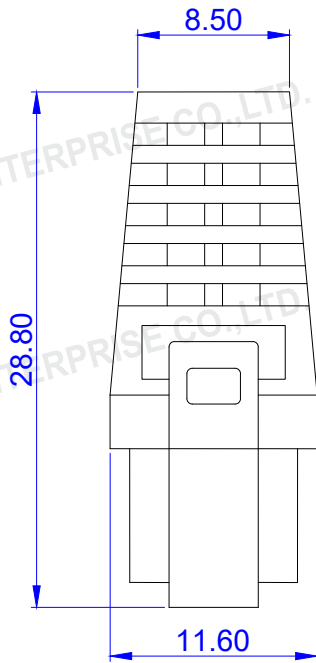
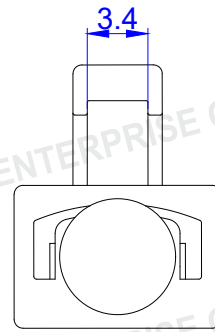
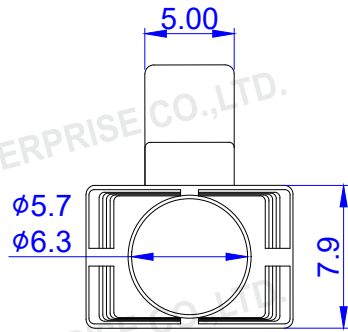


ROHS Compliant

DATE	2020/06/23
Revision	B



TOLERANCE	
.XXX	0.10
.XX	0.25
.X	0.38

MATERIAL	
HOUSING	ABS + PVC
COLOR	<input type="checkbox"/> WHITE <input type="checkbox"/> BLACK <input type="checkbox"/> GREEN <input type="checkbox"/> BLUE <input type="checkbox"/> YELLOW <input type="checkbox"/> RED <input type="checkbox"/> ORANGE <input type="checkbox"/> IVORY <input type="checkbox"/> OTHER

P/NO. SY-CCB5-XX					
ITEM. BOOT	CO. SY	S/N. SY-CCB5-XX			
DR.	APPD. Sweet 2020/06/23	CHKD.			
 Shiunn Yang Ent.Co.Ltd. TEL: 29089890 <REP> FAX: 29088679		FILE. SY-CCB5-XX			
		SCALE / 			
REV.	DESCRIPTION	ENG.	APPROVAL	UNIT mm	SIZE A4

REV.	DESCRIPTION	ENG.	APPROVAL
1			