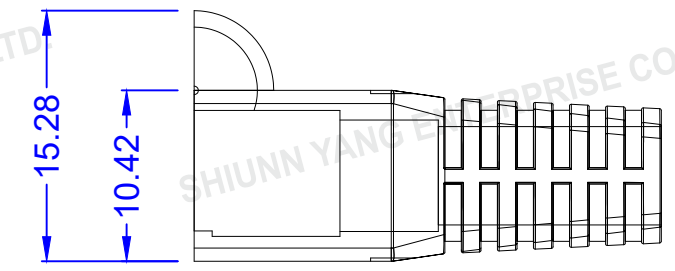
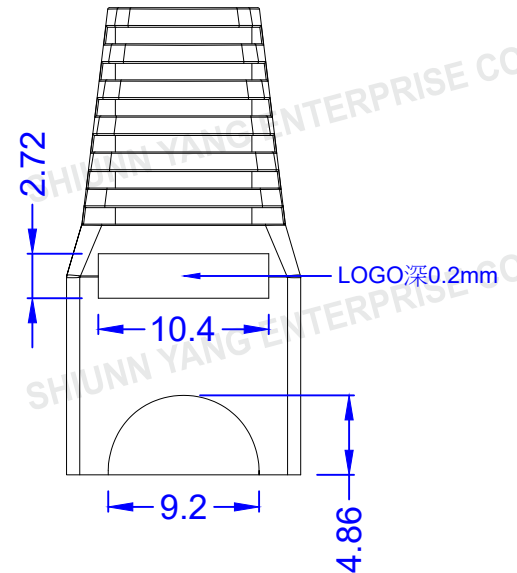
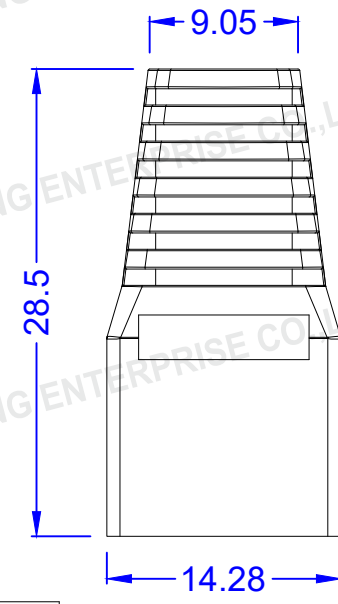
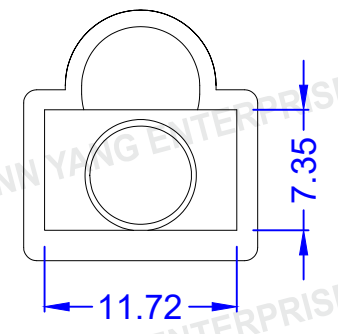
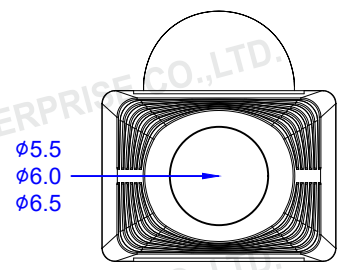


ROHS Compliant

DATE	2020/06/23
Revision	B



TOLERANCE	
.XXX	0.10
.XX	0.25
.X	0.38

MATERIAL

HOUSING Fire-resistance PVC

CONTACT PHOSPHOR BRONZE FINE GOLD PLATED OVER NICKEL


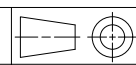
COLOR WHITE BLACK GREEN BLUE YELLOW RED ORANGE IVORY OTHER _____

REV.	DESCRIPTION	ENG.	APPROVAL
------	-------------	------	----------

P/NO. SY-CCB-XX

ITEM. Boot CO. SY S/N. SY-CCB-XX

DR. APPD. Sweet 2020/06/23 CHKD.

 <p>Shiunn Yang Ent.Co.Ltd. TEL: 29089890 <REP> FAX: 29088679</p>	FILE. SY-CCB-XX
	SCALE / 
	UNIT mm SIZE A4