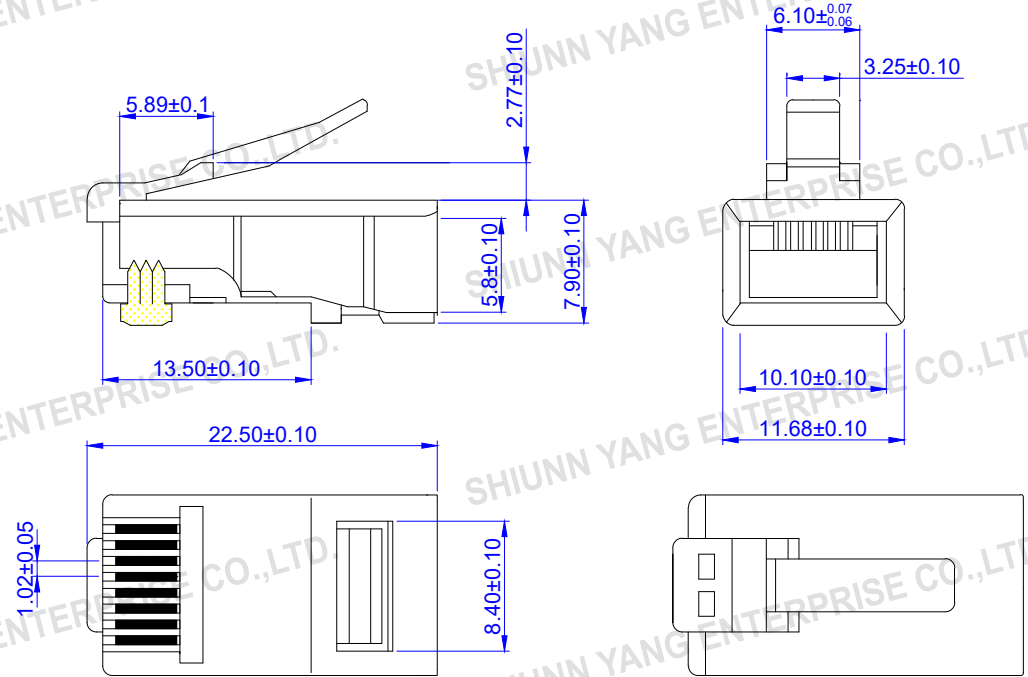
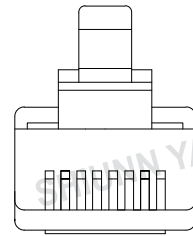
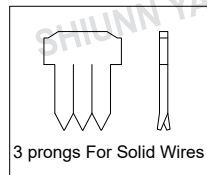
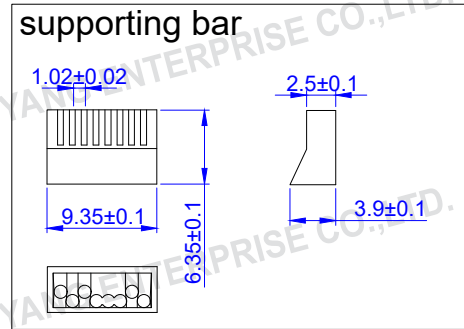


ROHS Compliant

DATE	2022/12/22
Revision	B



TOLERANCE	
.XXX	0.10
.XX	0.25
.X	0.38

MATERIAL	
HOUSING	<input checked="" type="checkbox"/> PC UL94V-0 <input type="checkbox"/> PC UL94V-2
CONTACT	PHOSPHOR BRONZE FINE GOLD PLATED OVER NICKEL
APPLICATION	<input type="checkbox"/> UTP CAT.5E <input checked="" type="checkbox"/> UTP CAT.6 <input type="checkbox"/> STP CAT.5E <input type="checkbox"/> STP CAT.6 <input checked="" type="checkbox"/> SOLID <input type="checkbox"/> STRANDED
REV.	DESCRIPTION

P/NO. SY-RJ2-45-3	
ITEM. Modular Plug	CO. SY
DR.	APPD. Sweet 2022/12/22
S/N. SY-RJ2-45-3	
FILE. SY-RJ2-45-3	
 Shiunn Yang Ent.Co.Ltd. TEL: 29089890 <REP> FAX: 29088679	
SCALE /	
UNIT mm	SIZE A4