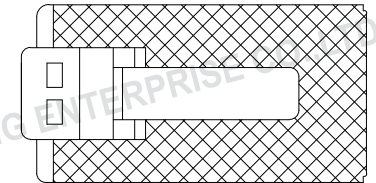
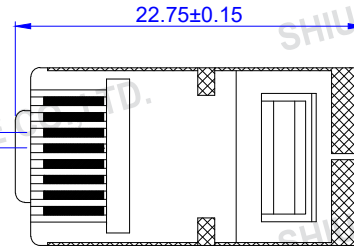
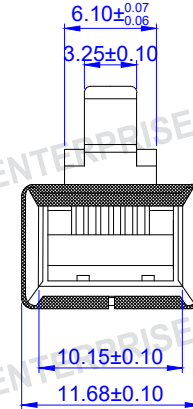
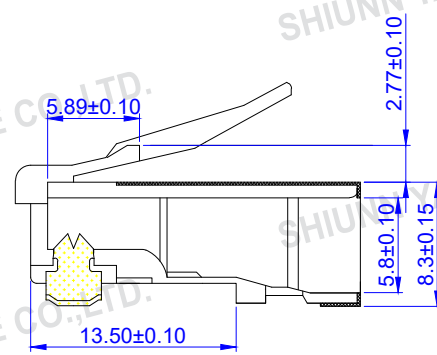
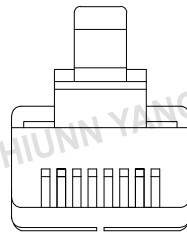
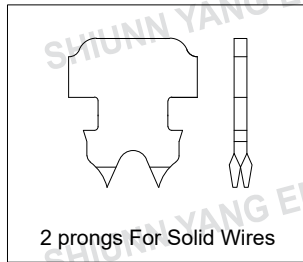
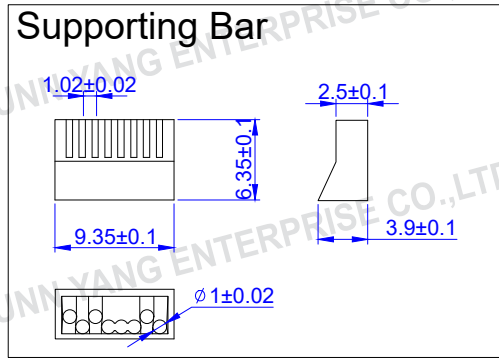



ROHS Compliant

DATE	2022/12/22
Revision	C



TOLERANCE	
.XXX	0.10
.XX	0.25
.X	0.38

MATERIAL				
HOUSING	<input checked="" type="checkbox"/> PC UL94V-0 <input type="checkbox"/> PC UL94V-2	TYPE OF PLUG	<input checked="" type="checkbox"/> SHIELD <input type="checkbox"/> UNSHIELD	
CONTACT	PHOSPHOR BRONZE FINE GOLD	GOLD-PLATING	<input type="checkbox"/> 0.15U M/6U" MINIMUM <input type="checkbox"/> 0.38U M/15U"MINIMUM	
	PLATED OVER NICKEL		<input type="checkbox"/> 0.76U M/30U"MINIMUM <input checked="" type="checkbox"/> 1.27U M/50U"MINIMUM	
APPLICATION	<input type="checkbox"/> UTP CAT.5E <input type="checkbox"/> UTP CAT.6 <input type="checkbox"/> STP CAT.5E <input checked="" type="checkbox"/> STP CAT.6			
	<input checked="" type="checkbox"/> SOLID <input type="checkbox"/> STRANDED			
REV.	DESCRIPTION	ENG.	APPROVAL	

P/NO. SY-FRJ2-45-3	
ITEM. Modular Plug	CO. SY
DR.	S/N. SY-FRJ2-45-3
APPD. Sweet 20228/12/22	
CHKD.	
FILE. SY-FRJ2-45-3	
 Shiunn Yang Ent.Co.Ltd. TEL: 29089890 <REP> FAX: 29088679	
SCALE /	
UNIT mm	SIZE A4