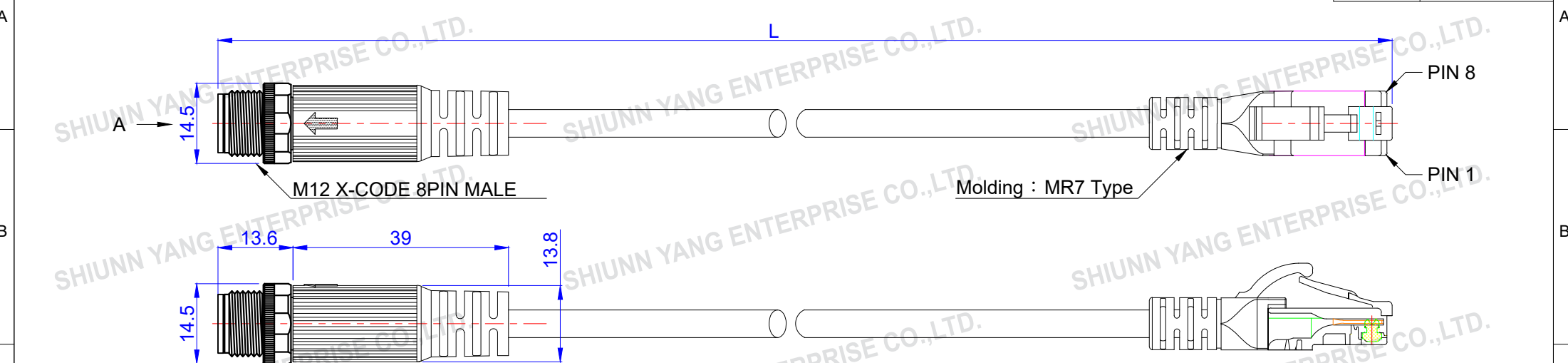


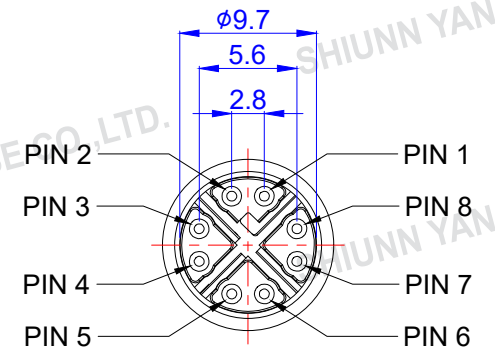
ROHS Compliant

Date	2023/10/05
Revision	A

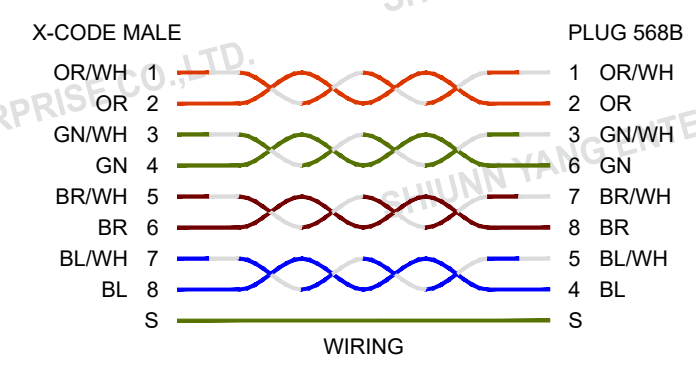


ELECTR SPECIFICATION:
 RATED CURRENT : 0.5A
 RATED VOLTAGE : 48V
 WATER PROOD : IP67

ENVIRONMENTAL :
 INSTALLATION TEMPERATURE 0°C~ 60°C
 STORAGE TEMPERATURE -40°C~ 90°C
 OPERATION TEMPERATURE -20°C~70°C



A : M12 X-CODE 8PIN MALE



TOLERANCE	
.XXX	0.10
.XX	0.25
.X	0.38

TECHNICAL DATA

CABLE	S/FTP CAT6A 4P 26AWG STRANDED CABLE BLACK IN TPU JACKET
M12 X-CODE MALE	MOLDED HOOD: PVC 60% BLACK, IP67, 10u"
	HOUSING:PBT UL94V-0 BLACK ; CONTACT:BRASS ; NUT:BRASS ; SHELL:Zn ALLOY ; BACK SHELL:BRASS
	FINISH : CONTACT:10 MICRO INCHES MIN.GOLD PLATED ; UNDER PLATE:NICKEL ; NUT:NICKEL PLATED
PLUG	SHELL:NICKEL PLATED ; BACK SHELL:NICKEL PLATED
	STP CAT6A 8P8C 50u" ; SR : MR 7

P/NO. M12X-MP-XX-SF6A

ITEM. M12 X-code	CO. SY	FILE. M12X-MP-XX-SF6A
DR.	APPD. Sweet 2023/10/05	CHKD.

Shiunn Yang Ent.Co.Ltd.
 TEL: 29089890 <REP>
 FAX: 29088679

S/N. M12X-MP-XX-SF6A

SCALE /	
UNIT mm	SIZE A4

REV.	DESCRIPTION	ENG.	APPROVAL
1			
2			
3			
4			
5			
6			
7			