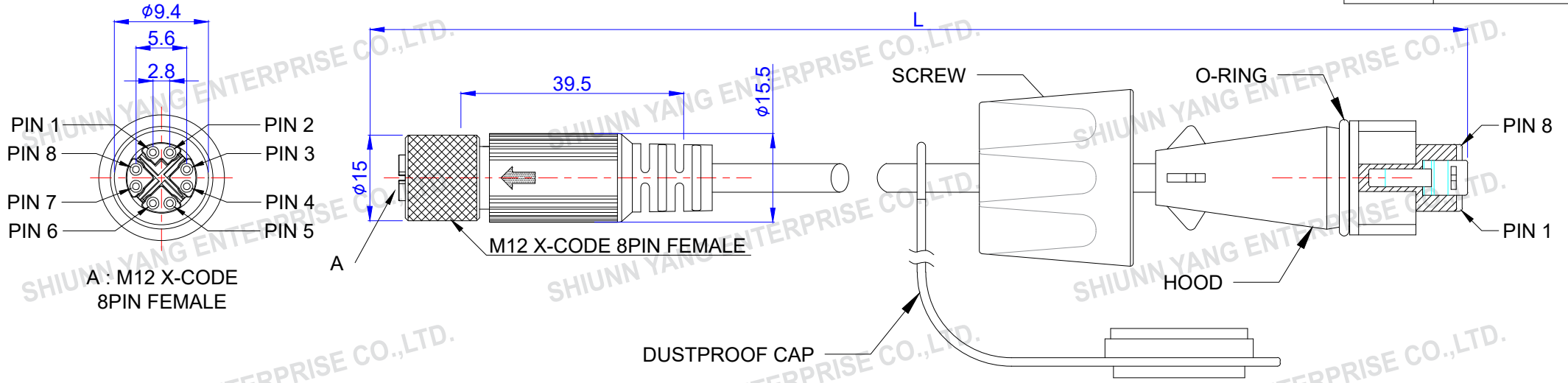


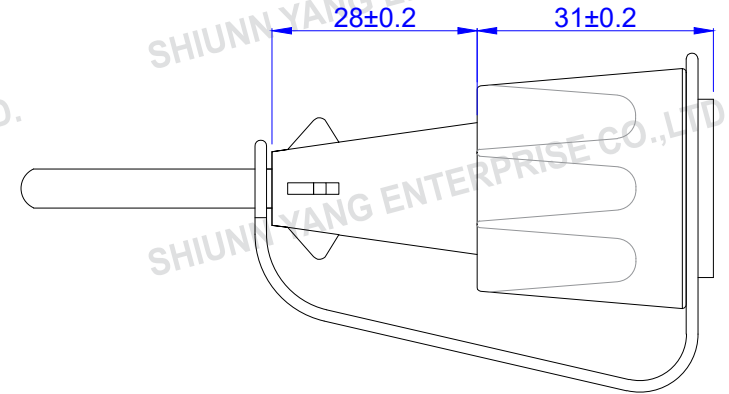
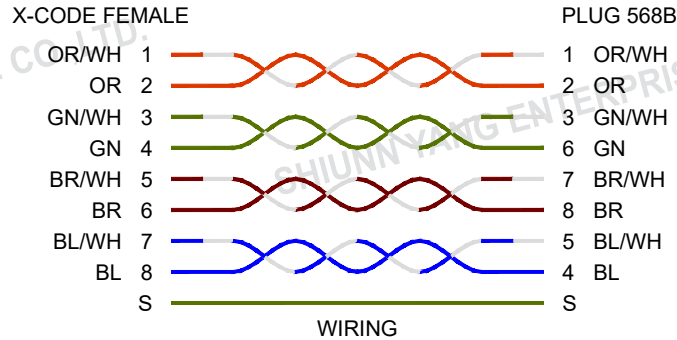
ROHS Compliant

Date	2023/10/05
Revision	A



ELECTR SPECIFICATION:
 RATED CURRENT : 0.5A
 RATED VOLTAGE : 48V
 WATER PROOD : IP67

ENVIRONMENTAL :
 INSTALLATION TEMPERATURE 0°C~ 60°C
 STORAGE TEMPERATURE -40°C~ 90°C
 OPERATION TEMPERATURE -20°C~70°C



TOLERANCE	
.XXX	0.10
.XX	0.25
.X	0.38

TECHNICAL DATA

CABLE	S/FTP CAT6A 4P 26AWG STRANDED CABLE BLACK IN TPU JACKET			
M12 X-CODE FEMALE	MOLDED HOOD: PVC 60% BLACK, IP67, 10u"			
	HOUSING:PA66 UL94V-0 BLACK ; CONTACT:BRASS ; NUT:BRASS ; O-RING:EPDM BLACK ; X-SHELL: Zn ALLOY			
	FINISH : CONTACT:GOLD PLATED ; UNDER PLATE:NICKEL ; NUT:NICKEL PLATED ; X-SHELL:NICKEL PLATED			
PLUG	FTP 8P8C 50u" ; SR : PVC			
DUSTPROOF CAP	PVC, BLACK	SCREW	PBT, BLACK	O-RING EPDM RUBBER, BLACK

P/NO. M12X-FWP-XX-SF6A

ITEM. M12 X-code	CO. SY	FILE. M12X-FWP-XX-SF6A
DR.	APPD. Sweet 2023/10/05	CHKD.



Shiunn Yang Ent.Co.Ltd.
 TEL: 29089890 <REP>
 FAX: 29088679

S/N. M12X-FWP-XX-SF6A
SCALE /
UNIT mm SIZE A4

REV.	DESCRIPTION	ENG.	APPROVAL
------	-------------	------	----------