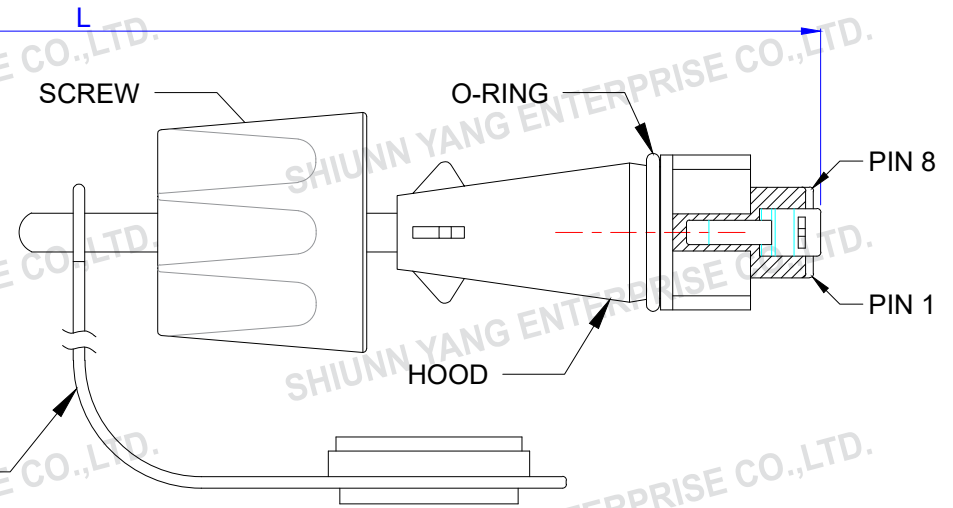
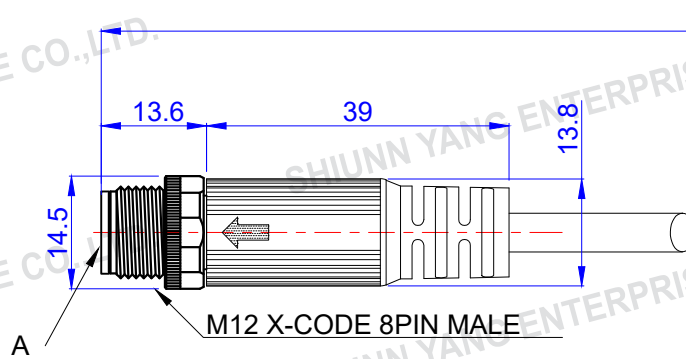
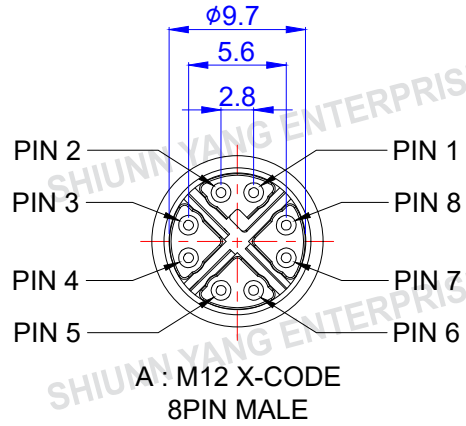


ROHS Compliant

Date	2023/10/05
Revision	A



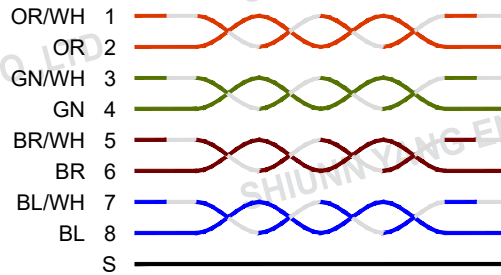
ELECTR SPECIFICATION:

RATED CURRENT : 0.5A
RATED VOLTAGE : 48V
WATER PROOD : IP67

ENVIRONMENTAL :

INSTALLATION TEMPERATURE 0°C~ 60°C
STORAGE TEMPERATURE -40°C~ 90°C
OPERATION TEMPERATURE -20°C~70°C

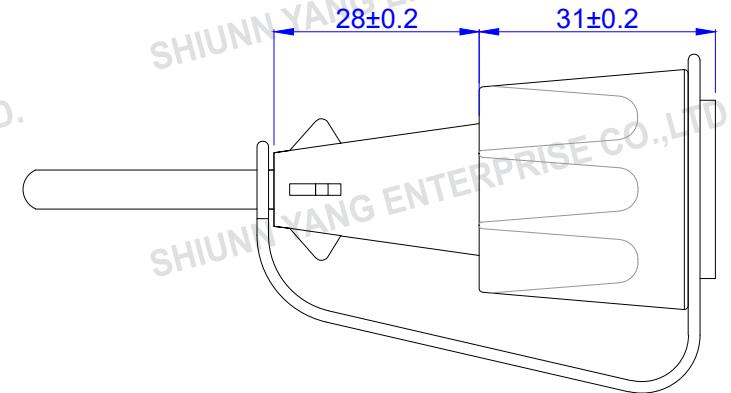
X-CODE MALE



PLUG 568B



WIRING



TOLERANCE

.XXX	0.10
.XX	0.25
.X	0.38

TECHNICAL DATA

CABLE	S/FTP CAT6A 4P 26AWG STRANDED CABLE BLACK IN TPU JACKET			
M12 X-CODE MALE	MOLDED HOOD: PVC 60% BLACK, IP67, 10u"			
	HOUSING:PBT UL94V-0 BLACK ; CONTACT:BRASS ; NUT:BRASS ; SHELL:Zn ALLOY ; BACK SHELL:BRASS			
	FINISH : CONTACT:10 MICRO INCHES MIN.GOLD PLATED ; UNDER PLATE:NICKEL ; NUT:NICKEL PLATED SHELL:NICKEL PLATED ; BACK SHELL:NICKEL PLATED			
PLUG	FTP 8P8C 50u" ; SR : PVC			
DUSTPROOF CAP	PVC, BLACK	SCREW	PBT, BLACK	O-RING EPDM RUBBER, BLACK

P/NO. M12X-MWP-XX-SF6A

ITEM. M12 X-code	CO. SY	FILE. M12X-MWP-XX-SF6A
DR.	APPD. Sweet 2023/10/05	CHKD.



Shiunn Yang Ent.Co.Ltd.
TEL: 29089890 <REP>
FAX: 29088679

S/N. M12X-MWP-XX-SF6A
SCALE /
UNIT mm SIZE A4

REV.	DESCRIPTION	ENG.	APPROVAL
------	-------------	------	----------