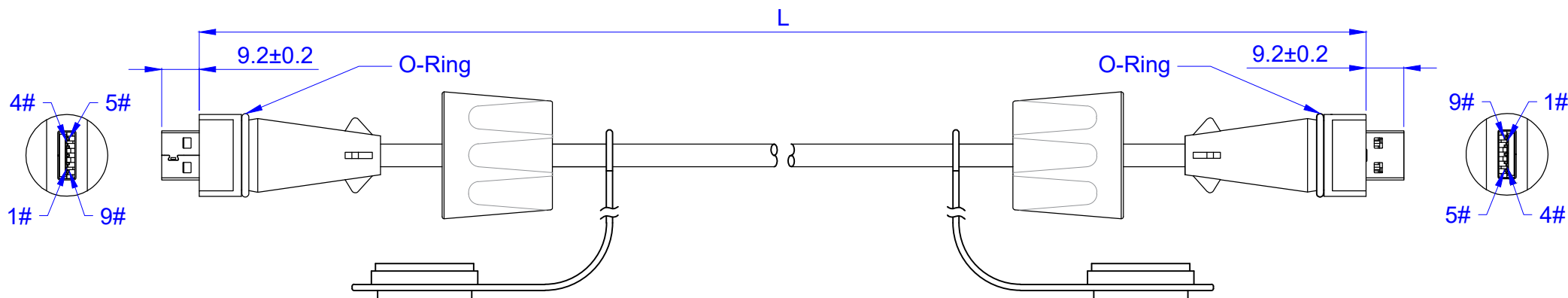


ROHS Compliant

DATE	2023/12/27
Revision	D



PHYSICAL CHARACTERISTICS :

OPERATING TEMPERATURE RANGE : -10°C TO 60°C
 STORAGE TEMPERATURE RANGE : -40°C TO 68°C
 HUMIDITY : 10%~90%RH (NON-CONDENSING).

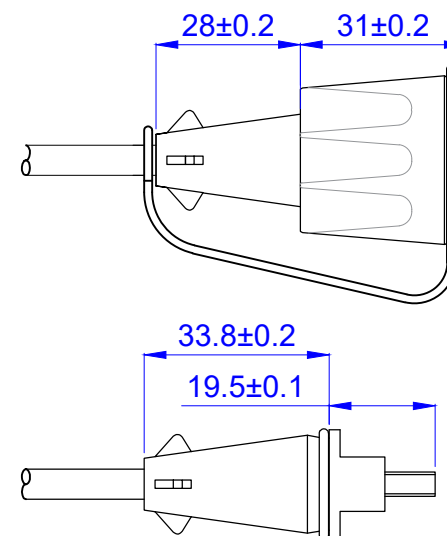
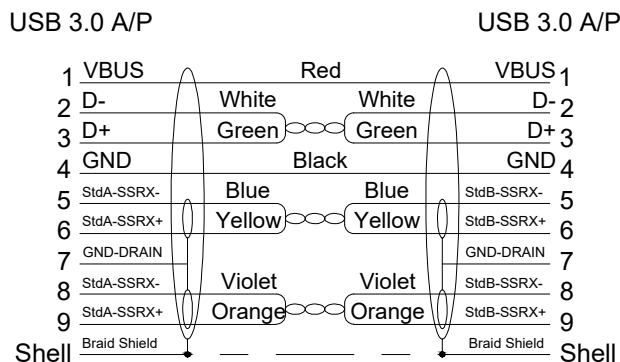
ELECTRIC TESTING :

100% OPEN & SHORT TESTING.
 INULATION RESISTANCE : 20 MΩ.
 CONDUCTOR RESISTANCE : 3Ω.
 VOLTAGE : 300V DC/0.1S.

IP68

ACCORDING TO IEC 60529
 Degrees of Protection Provided by Enclosures
 6:Dust-tight
 8:Protected from immersion in water for 60 minutes
 at a depth of 1.5 meter.

CONNECTION



MATERIAL

CABLE SPEC	UL20276 OD 5.5MM, OUTJACKET : PVC, Color : BLACK <input type="checkbox"/> 1000±50mm <input type="checkbox"/> 2000±50mm UL2725 OD 6.2MM, OUTJACKET : PVC, Color : BLACK <input type="checkbox"/> 3000±80mm <input type="checkbox"/> 4000±80mm
USB A TYPE PLUG (REV. 3.0)	NICKEL PLATED
HOOD	PVC 60P,UL94V-0
DUSTPROOF CAP	PVC, BLACK
SCREW	PVC, BLACK
O-RING	EPDM RUBBER, BLACK

P/NO. SY-USB3-X-BK-WP(IP68)

ITEM.	CO. SY	S/N. SY-USB3-X-BK-WP
DR.	APPD. Sweet 2023/12/27	CHKD.



Shiunn Yang Ent.Co.Ltd.
 TEL: 29089890 <REP>
 FAX: 29088679

FILESY-USB3-X-BK-WP	
SCALE /	
UNIT mm	SIZE A4

REV.	DESCRIPTION	ENG.	APPROVAL
1			