

ROHS Compliant

DATE	2021/02/03
Revision	C

PHYSICAL CHARACTERISTICS

MATING : 44N MAX.
 WITHDRAWAL : 10N MIN.
 DURABILITY : 10000 CYCLES.
 OPERATING TEMPERATURE RANGE : -10°C TO 60°C
 STORAGE TEMPERATURE RANGE : -40°C TO 68°C
 HUMIDITY : 10%~90%RH (NON-CONDENSING).

ELECTRICAL

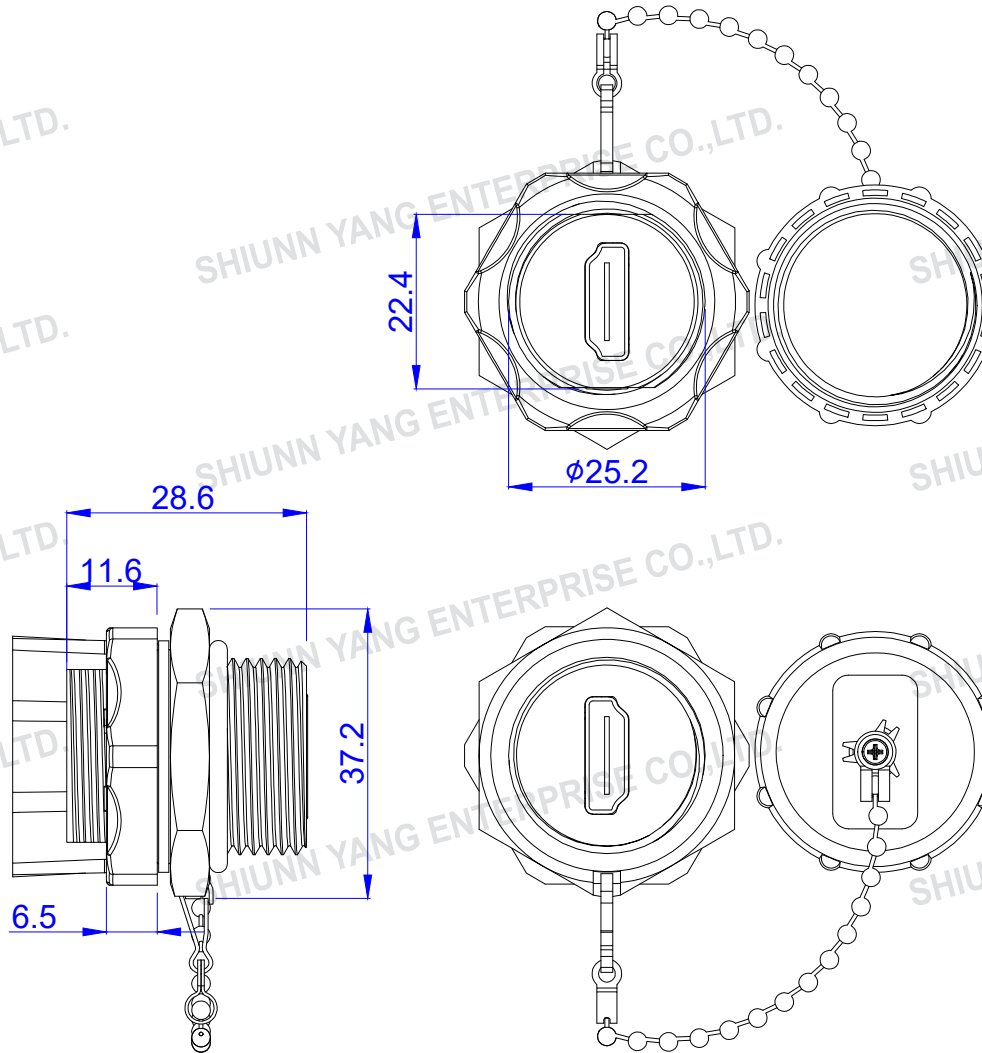
CONTACT CURRENT RATING : 0.5A.
 DIELECTRIC WITHSTANDING VOLTAGE : 300V AC.
 INSULATION RESISTANCE :
 A.MATE 100 MΩ MIN 500V/DC.
 B.UNMATE 10 MΩ MIN AT 150V/DC.
 CONTACT RESISTANC : 30 MΩ MAX.

NOTE

HDMI 2.0

IP68

ACCORDING TO IEC 60529
 Degrees of Protection Provided by Enclosures
 6:Dust-tight
 8:Protected from immersion in water for 60 minutes
 at a depth of 1.5 meter.



CONNECTION

A FEMALE	A FEMALE
1	1
2	2
3	3
4	4
5	5
6	6
7	7
8	8
9	9
10	10
11	11
12	12
13	13
14	14
15	15
16	16
17	17
18	18
19	19
SHELL	SHELL

TOLERANCE

.XXX	0.10
.XX	0.25
.X	0.38

MATERIAL

MAIN BODY & DUST CAP	PBT+GF,UL94V-0.
CONNECTOR	HDMI 19 PIN FEMALE SPLINT TYPE,PIN GOLD PLATED ON CONTACT, SHELL GOLD FLASH PLATED,BLACK INSULATION.
ALL HOOD	MOLDED 25P PVC.
CHAIN	BRONZE, NICKEL PLATED.
CONTACT	COPPER ALLOY, T=0.2MM.
SHELL	COPPER ALLOY, T=0.5MM

P/NO. SY-WPHDMI

ITEM. IP67 Waterproof	CO. SY	S/N. SY-WPHDMI
DR.	APPD. Sweet 2021/02/03	CHKD.
 Shiunn Yang Ent.Co.Ltd. TEL: 29089890 <REP> FAX: 29088679	FILE. SY-WPHDMI	
	SCALE /	
	UNIT mm	SIZE A4

REV.	DESCRIPTION	ENG.	APPROVAL
1			