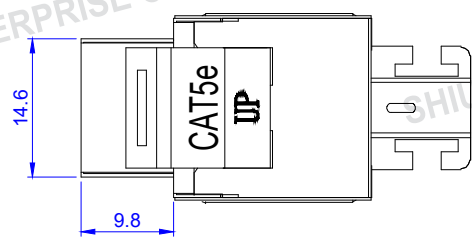
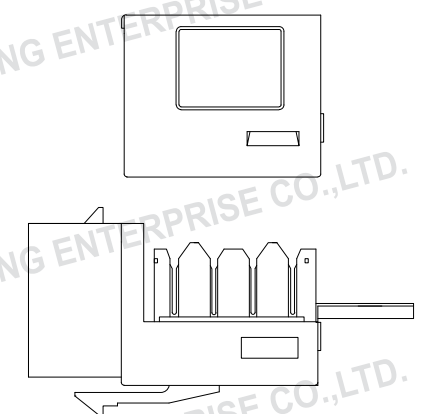
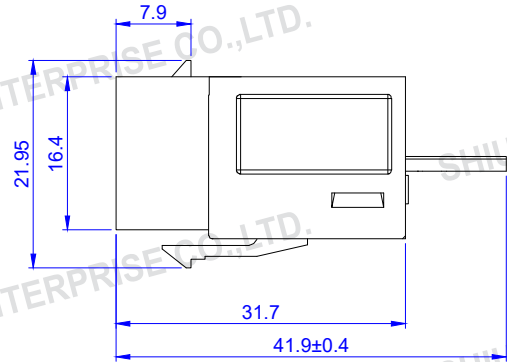
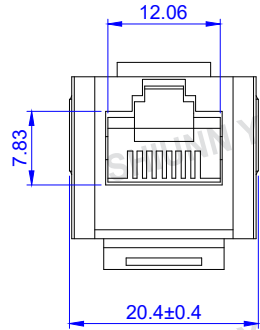


ROHS Compliant

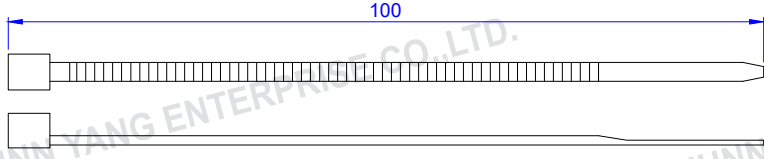
DATE	2024/03/24
Revision	C

- Features :
- T-568A/B Dual wiring
  - RJ45 complies with FCC part 68 standard
  - 110/Krone dual IDC connector compatible
  - Provides termination for 22~26 AWG wire
  - Jack insertion life >750 mating cycles
  - IDC insertion life >250 mating cycles
  - Operating temperature : -40°C ~ +60°C

- Electrical :
- Contact resistance : 20m ohm
  - DC Current rating : 1.5Amps
  - DC resistance : Max.0.1 ohm
  - Insulation Resistance : 500m ohm
  - Dielectric withstanding voltage : 1000V



CABLE TIE :



TOLERANCE	
.XXX	0.10
.XX	0.25
.X	0.38

MATERIAL			
CATEGORY	<input checked="" type="checkbox"/> CAT.5E <input type="checkbox"/> CAT.6 <input type="checkbox"/> CAT.3 <input type="checkbox"/> OTHER _____		
HOUSING	ABS UL94V-0		
CONTACT	0.35mm THICKNESS PHOSPHOR BRONZE GOLD PLATED OVER NICKLE		
GOLD-PLATING	<input type="checkbox"/> 0.0762um/3u inch <input type="checkbox"/> 0.15um/6u inch <input type="checkbox"/> 0.38um/15u inch <input type="checkbox"/> 0.76um/30u inch <input checked="" type="checkbox"/> 1.27um/50u inch		
COLOR	<input type="checkbox"/> WHITE <input type="checkbox"/> BLACK <input type="checkbox"/> GREEN <input type="checkbox"/> BLUE <input type="checkbox"/> YELLOW <input type="checkbox"/> RED <input type="checkbox"/> ORANGE <input type="checkbox"/> IVORY <input type="checkbox"/> OTHER _____		
TYPE OF PRODUCT	<input type="checkbox"/> UNSHIELD <input checked="" type="checkbox"/> SHIELD : 0.25mm THICKNESS COPPER ALLOY WITH NICKLE PLATED.		
REV.	DESCRIPTION	ENG.	APPROVAL

P/NO. SY-505S		
ITEM. Keystone Jack	CO. SY	S/N. SY-505S
DR.	APPD. Sweet 2024/03/25	CHKD.
 Shiunn Yang Ent.Co.Ltd. TEL: 29089890 <REP> FAX: 29068849,29088679		FILE. SY-505S
		SCALE / 
		UNIT mm SIZE A4