

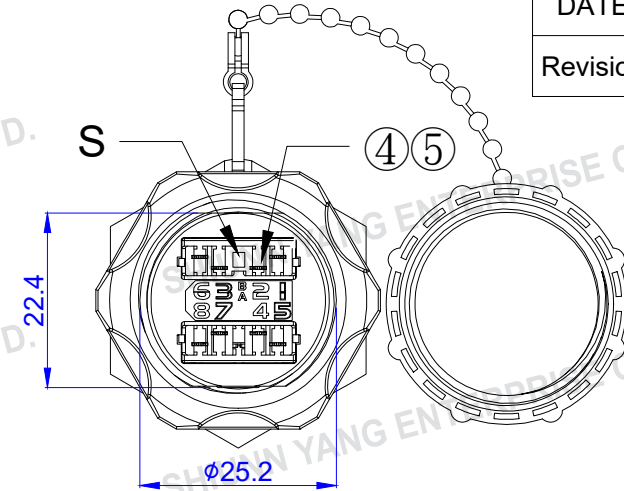
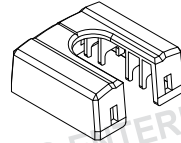
ROHS Compliant

DATE	2021/02/02
Revision	D

Features :

- Suitable Impact Tool:110 Style Punch Down Tool.
- Insertion Life:750 Mating Cycles With FCC Compliant 8P Plug.
- Contact Force:100 Grams With FCC Compliant 8P Plug.
- Plug Retention Force:11 LBF Min.
- Durability:200 Termination Cycles.
- Contact Compatibility:Accommodates 22 To 24 AWG Solid.
- Operating Temperature Range : -10°C~+60°C
- Storage Temperature Range : -40°C~+68°C
- Humidity : 10%~90%RH

ENCLOSURE  
IDC CAP X 1 PC



Electrical :

- Contact resistance : 20m ohm
- DC Current rating : 1.5Amps
- DC resistance : Max.0.1 ohm
- Insulation Resistance : 500m ohm
- Dielectric withstanding voltage : 1000V

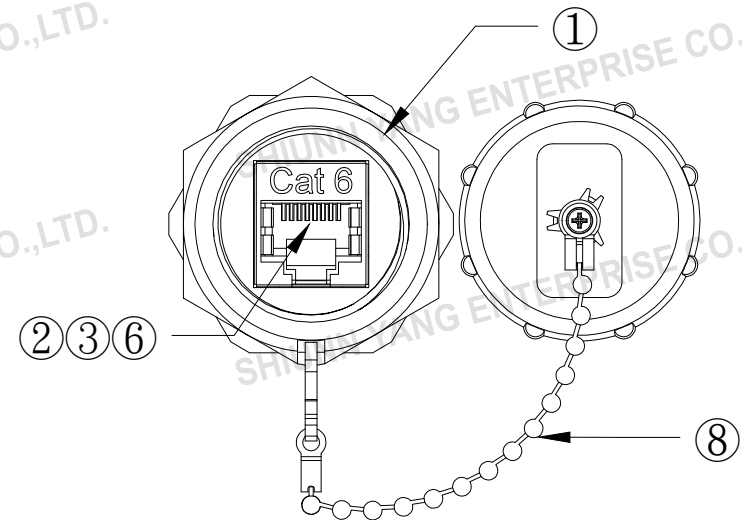
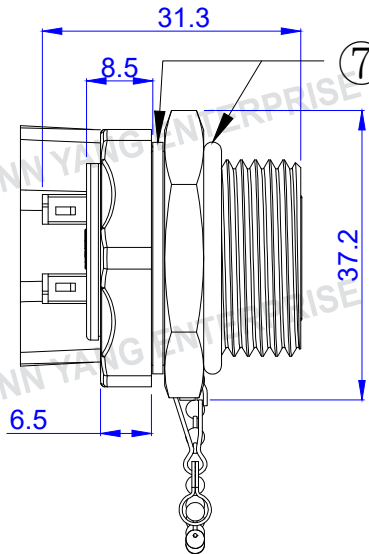
IP68

ACCORDING TO IEC 60529

Degrees of Protection Provided by Enclosures

6:Dust-tight

8:Protected from immersion in water for 60 minutes at a depth of 1.5 meter.



TOLERANCE

.XXX	0.10
.XX	0.25
.X	0.38

MATERIAL

① MAIN BODY : PBT+GF, UL94V-0.	② JACK HOUSING : PC, UL94V-0.
③ JACK CONTACT : Phosphor Bronze ,50u" Gold Plated.	④ IDC PLASTIC : PC, UL94V-0.
⑤ IDC CONTACT : Phosphor Bronze , Tin over Nickel undercoat	⑥ SHIELDED CASE : Brass,Nickel Plated.
⑦ O-RING : EPDM	
⑧ CHAIN : BRONZE,NICKEL PLATED. ; CONTACT : COPPER ALLOY,T=0.2MM. ; SHELL : COPPER ALLOY,T=0.5MM.	

P/NO. SY-WPK8DS-C6

ITEM. IP68 Waterproof	CO. SY	S/N. SY-WPK8DS-C6
DR.	APPD. Sweet 2021/02/02	CHKD.



Shiunn Yang Ent.Co.Ltd.  
TEL: 29089890 <REP>  
FAX: 29088679

FILE.	SY
SCALE	1:1
UNIT	mm
SIZE	A4