

ROHS Compliant

DATE	2022/03/15
Revision	A

**PHYSICAL CHARACTERISTICS**

MATING : 35N MAX.  
 WITHDRAWAL : 10N MIN.  
 DURABILITY : 1500 CYCLES MIN.  
 OPERATING TEMPERATURE RANGE : -10°C TO 60°C  
 STORAGE TEMPERATURE RANGE : -40°C TO 68°C  
 HUMIDITY : 10%~90%RH (NON-CONDENSING).

**ELECTRICAL**

IMPEDANCE: 90±7Ω.  
 VOLTAGE RATING: 30 VAC.

**CURRENT RATING:**

1.5A FOR VBUS ADD GND CONTACTS.  
 0.25A FOR OTHER CONTACTS.  
 INSULATION RESISTANCE : 20 MΩ MAX.

**LOW LEVEL CONTACT RESISTANCE:**

30 MΩ FOR VBUS ADD GND CONTACTS.  
 50 MΩ FOR OTHER CONTACTS.

**DIELECTRIC WITHSTANDING VOLTAGE:**

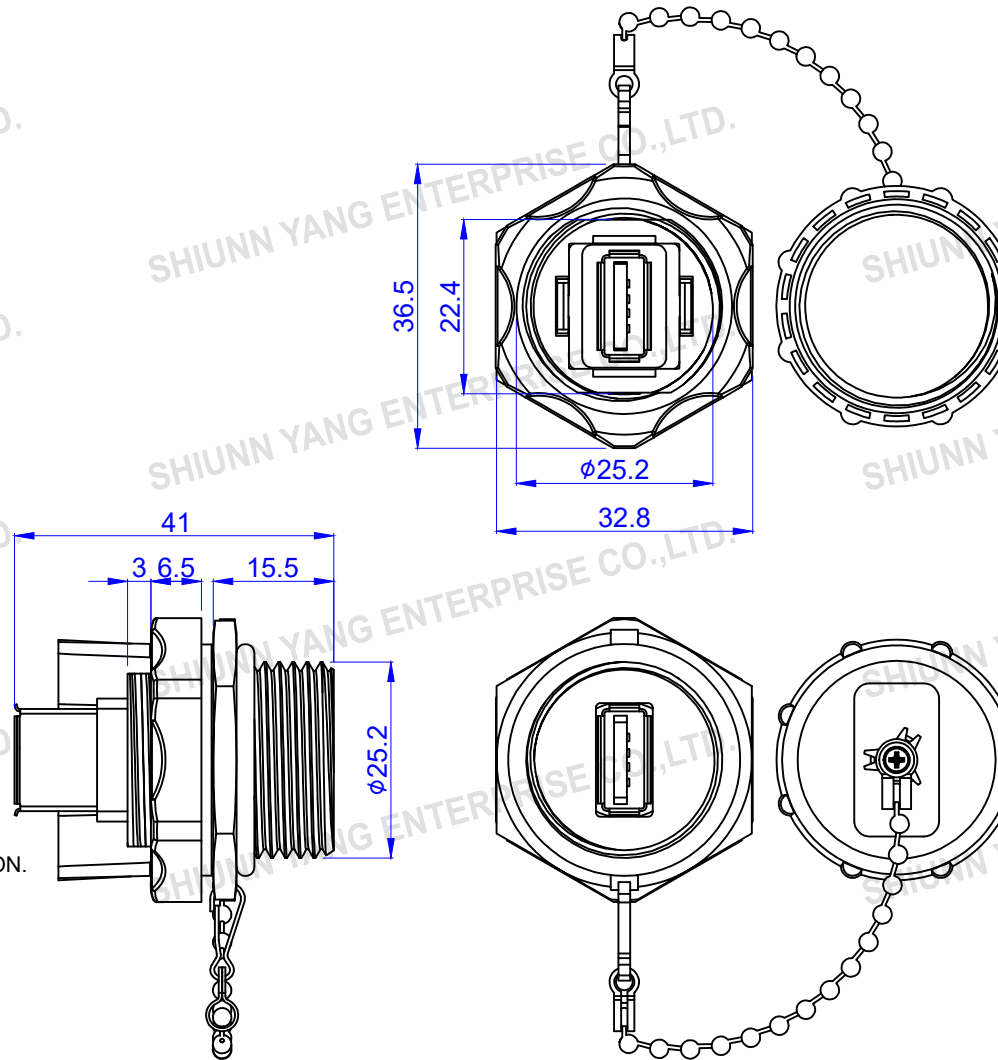
NO BREAKDOWN SHALL OCCUR WHEN 100 VOLTS AC(RMS) IS APPLIED BETWEEN CONTACTS OF UNMATED AND MATED CONNECTORS.

**IP67**

ACCORDING TO IEC 60529:2001-02  
 Degrees of Protection Provided by Enclosures  
 6:Dust-tight  
 7:Protected from immersion in water for 30 minutes at a depth of 1 meter.

**NOTE**

ADAPTER:USB AF/AF REV3.0 ADAPTER,BULE INSULATION.  
 NICKEL PLATED SHELL.




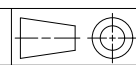
**PIN ASSIGNMENT**

A FEMALE	A FEMALE
1	1
2	2
3	3
4	4
5	5
6	6
7	7
8	8
9	9
SHELL	SHELL

**WIRING**

TOLERANCE	
.XXX	0.10
.XX	0.25
.X	0.38

MATERIAL	
BODY & DUST CAP	PBT+GF,UL94V-0
USB CONTACTS	BRASS AND PHOSPHOR BRONZE,GOLD PLATED
SHELL	BRASS,NICKEL PLATED.
ALL HOOD	MOLDED 25P PVC
CHAIN	BRONZE,NICKEL PLATED

<b>P/NO. SY-WPUSB-3.0</b>		
ITEM. IP67 Waterproof	CO. SY	S/N. SY-WPUSB-3.0
DR.	APPD. Sweet 2022/03/15	CHKD.
 Shiunn Yang Ent.Co.Ltd. TEL: 29089890 <REP> FAX: 29088679	FILE. SY	
	SCALE /	
	UNIT mm	SIZE A4