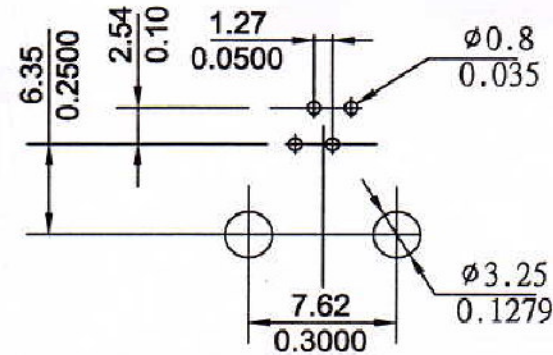
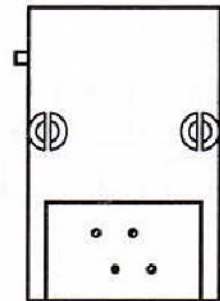
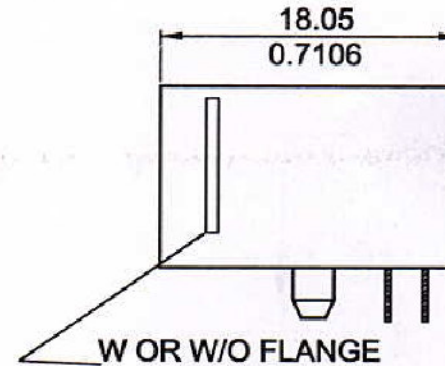
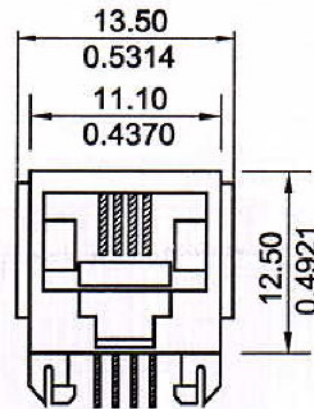
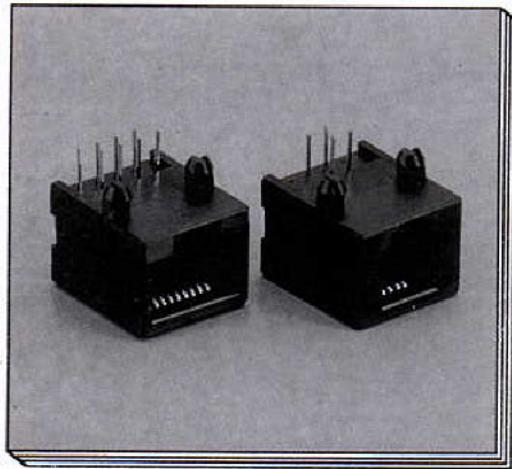



SY003 - 4 □ □ □



TECHNICAL DATA				TITLE MODULAR PCB JACK	CO. SY003-4XXX	CLIE.
HOUSING	STANDARD MATERIAL 15% GLASS FILLED PBT UL94V-0 STANDARD COLOR : GRAY, BLACK	COLD-PLATING	0. 0.0762 um/ 3u inch 1. 0.15 um/ 6u inch 2. 0.38 um/ 15u inch 3. 0.76 um/ 30u inch 4. 1.27 um/ 50u inch	DR.	APPD.	CHKD.
CONTACT	0.46 / 0.35 DIAMETER PHOSPHOR BRONZE GOLD PLATED OVER NICKEL			 Shiunn Yang Ent.Co.Ltd. TEL: 29089890 <REP> FAX: 29068849,29088679		SCALE /
REV.	DESCRIPTION	ENG.	APPROVAL			UNIT mm
				SHEET		REV.

1

2

3

4

5

6

7