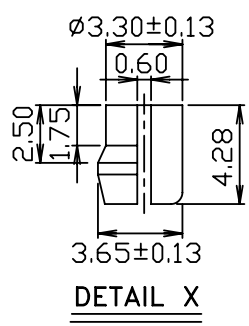
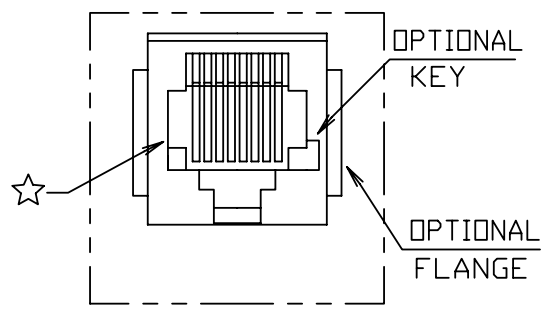
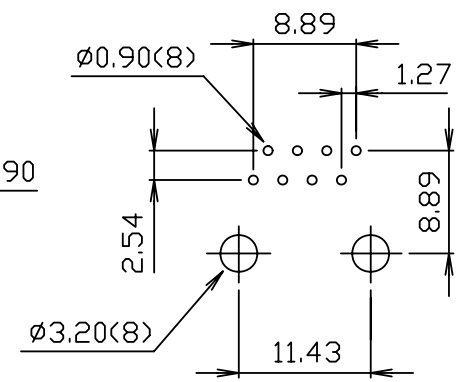
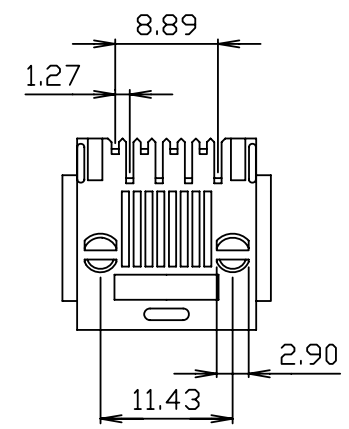
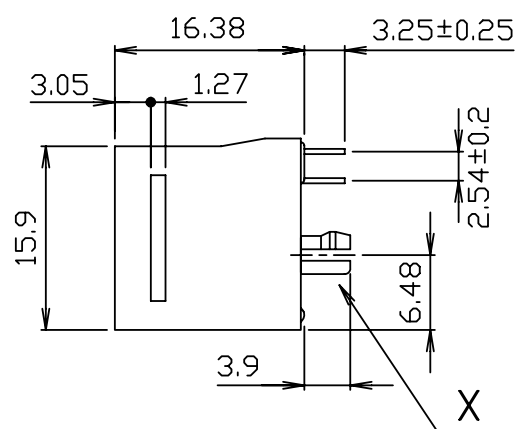
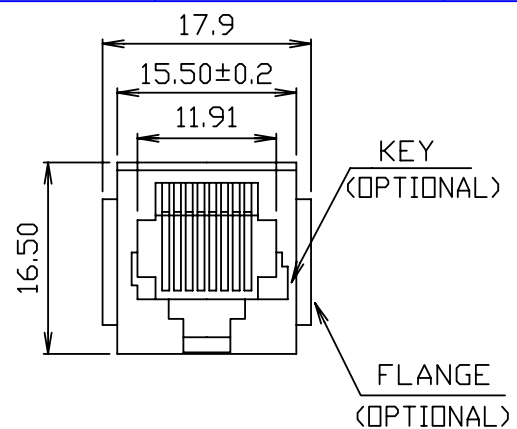


| | |
|----------|------------|
| Date | 2006/01/13 |
| Revision | A |



Electrical:
 Current Rating: 1.5amps
 :@70 °C ambient
 Contact Resistance: 30milliohm max.
 Insulation Resistance: 50 megohm min.
 Dielectric Withstanding Voltage: 1000 VAC, RMS, 60Hz, 1min.
 Capacitance: 1.5pF max between adjacent contacts.

| TOLERANCE | |
|-----------|------|
| .XXXX | ---- |
| .XXX | 0.10 |
| .XX | 0.25 |
| .X | 0.38 |

P/NO. SY012-8

| TECHNICAL DATA | | | |
|----------------|--|-------|-------------|
| HOUSING | STANDARD MATERIAL 15% GLASS FILLED PBT UL94V-0 | COLOR | GRAY, BLACK |
| CONTACT | 0.45 DIAMETER PHOSPHOR BRONZE GOLD PLATED OVER NICKEL | | |
| GOLD-PLATING | <input type="checkbox"/> 0.0762 um / 3u inch <input type="checkbox"/> 0.15 um / 6u inch <input type="checkbox"/> 0.38 um / 15u inch <input type="checkbox"/> 0.76 um / 30u inch <input type="checkbox"/> 1.27 um / 50u inch | | |
| REV. | DESCRIPTION | ENG. | APPROVAL |

| | | |
|--|---------|---|
| ITEM MODULAR PCB JACK | CO. SY | FILE SY012-8 |
| DR. Hansum2005/08/09 | APPD. | CHKD. |
|  Shiunn Yang Ent.Co.Ltd. TEL: 29089890 <REP> FAX: 29068849,29088679 | SCALE / |  |
| | UNIT mm | SIZE A4 |
| | SHEET | REV. |