

ROHS Compliant

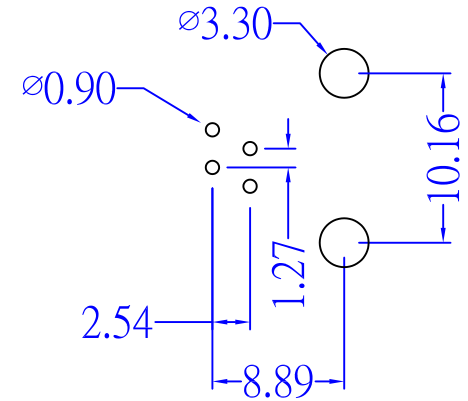
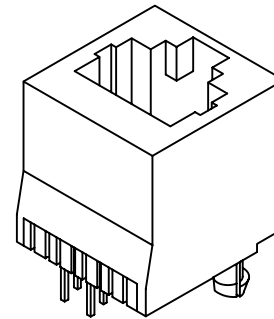
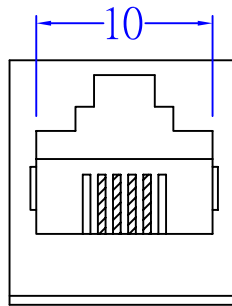
Date	2009/10/05
Revision	A

**ELECTRICAL :**

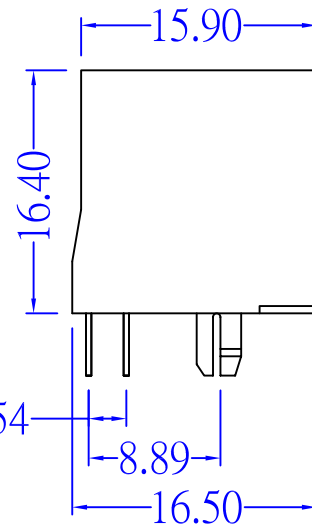
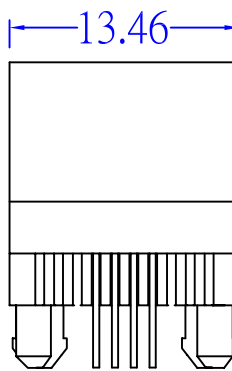
- VOLTAGE RATING : 125V.
- CURRENT RATING : 1.5A.
- CONTACT RESISTANCE : 30 MILLIOHMS MAX.
- INSULATION RESISTANCE : 500 MEGOHM MIN.
- DIELECTRIC WITHSTANDING VOLTAGE : 1000VAC, RMS, 60Hz, 1MINUTE.

**MECHANICAL :**

- PLUG RETAINED FORCE : 11KG MAX.
- DURABILITY : 750 MATING CYCLES MIN.
- OPERATING TEMPERATURE : -40°C~+125°C.



PCB LAYOUT / TOP VIEW



TOLERANCE	
.XXXX	----
.XXX	0.10
.XX	0.25
.X	0.38

TECHNICAL DATA

HOUSING	STANDARD MATERIAL 15% GLASS FILLED PBT <input checked="" type="checkbox"/> UL94V-0 <input type="checkbox"/> UL94V-2	COLOR <input type="checkbox"/> GRAY <input checked="" type="checkbox"/> BLACK
	<input type="checkbox"/> W/FLANGE <input checked="" type="checkbox"/> W/O FLANGE	
CONTACT	<input type="checkbox"/> ROUND WIRE : 0.46mm DIAMETER PHOSPHOR BRONZE GOLD PLATED OVER NICAL.	
	<input checked="" type="checkbox"/> FLAT WIRE : 0.35mm THICKNESS PHOSPHOR BRONZE GOLD PLATED OVER NICAL.	
	TIN PLATED OVER NICKEL ON SOLDER AREA.	
GOLD-PLATING	<input type="checkbox"/> 0.0762um/3u inch <input checked="" type="checkbox"/> 0.15um/6u inch <input type="checkbox"/> 0.38um/15u inch <input type="checkbox"/> 0.76um/30u inch <input type="checkbox"/> 1.27um/50u inch	
TYPE OF JACK	<input checked="" type="checkbox"/> UNSHIELD <input type="checkbox"/> SHIELD : 0.25mm THICKNESS COPPER ALLOY WITH NICKLE PLATED.	

P/NO. SY012N-6P4C

ITEM. MODULAR PCB JACK	CO. SY	FILE. SY012N-6P4C
DR. Breaker2009/10/05	APPD.	CHKD.



Shiunn Yang Ent.Co.Ltd.  
 TEL: 29089890 <REP>  
 FAX: 29068849,29088679

SCALE /	
UNIT mm	SIZE A4
SHEET	REV.