

ROHS Compliant

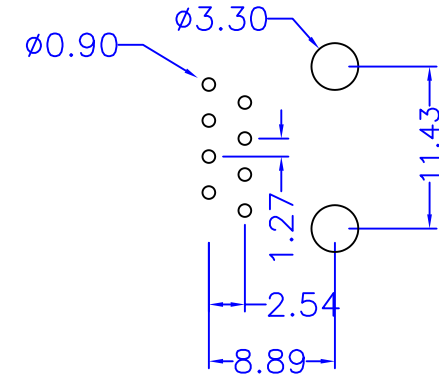
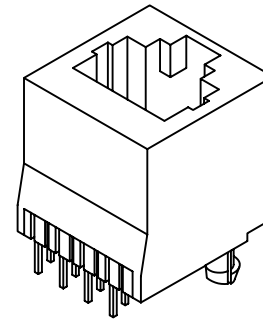
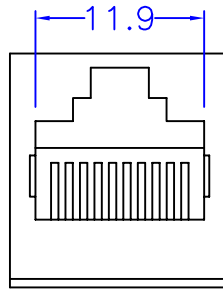
Date	2009/04/23
Revision	A

ELECTRICAL :

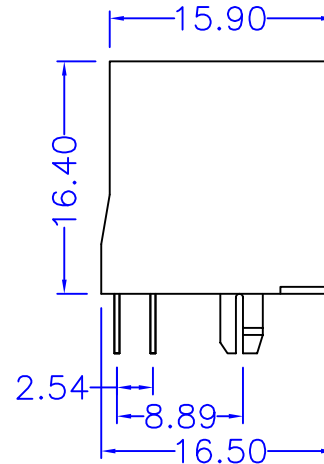
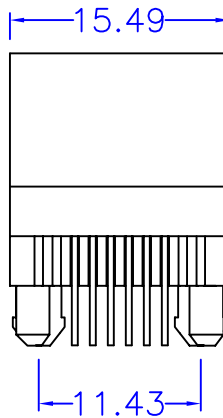
- VOLTAGE RATING : 125V.
- CURRENT RATING : 1.5A.
- CONTACT RESISTANCE : 30 MILLIOHMS MAX.
- INSULATION RESISTANCE : 500 MEGOHM MIN.
- DIELECTRIC WITHSTANDING VOLTAGE : 1000VAC, RMS, 60Hz, 1MINUTE.

MECHANICAL :

- PLUG RETAINED FORCE : 11KG MAX.
- DURABILITY : 750 MATING CYCLES MIN.
- OPERATING TEMPERATURE : -40°C~+125°C.



PCB LAYOUT / TOP VIEW



TOLERANCE

.XXXX	----
.XXX	0.10
.XX	0.25
.X	0.38

TECHNICAL DATA

HOUSING	STANDARD MATERIAL 15% GLASS FILLED PBT <input type="checkbox"/> UL94V-0 <input type="checkbox"/> UL94V-2	COLOR	<input type="checkbox"/> GRAY <input type="checkbox"/> BLACK
	<input type="checkbox"/> W/FLANGE <input type="checkbox"/> W/O FLANGE		
CONTACT	<input type="checkbox"/> ROUND WIRE : 0.46mm DIAMETER PHOSPHOR BRONZE GOLD PLATED OVER NICAL.		
	<input type="checkbox"/> FLAT WIRE : 0.35mm THICKNESS PHOSPHOR BRONZE GOLD PLATED OVER NICAL.		
	TIN PLATED OVER NICKEL ON SOLDER AREA.		
GOLD-PLATING	<input type="checkbox"/> 0.0762um/3u inch <input type="checkbox"/> 0.15um/6u inch <input type="checkbox"/> 0.38um/15u inch <input type="checkbox"/> 0.76um/30u inch <input type="checkbox"/> 1.27um/50u inch		
TYPE OF JACK	<input type="checkbox"/> UNSHIELDED <input type="checkbox"/> SHIELDED : 0.25mm THICKNESS COPPER ALLOY WITH NICKLE PLATED.		

P/NO. SY012N-8

ITEM. MODULAR PCB JACK

CO. SY

FILE. SY012N-8

DR. Breaker2009/04/23

APPD.

CHKD.

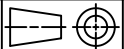


Shiunn Yang Ent.Co.Ltd.

TEL: 29089890 <REP>

FAX: 29068849,29088679

SCALE /



UNIT mm

SIZE A4

SHEET

REV.